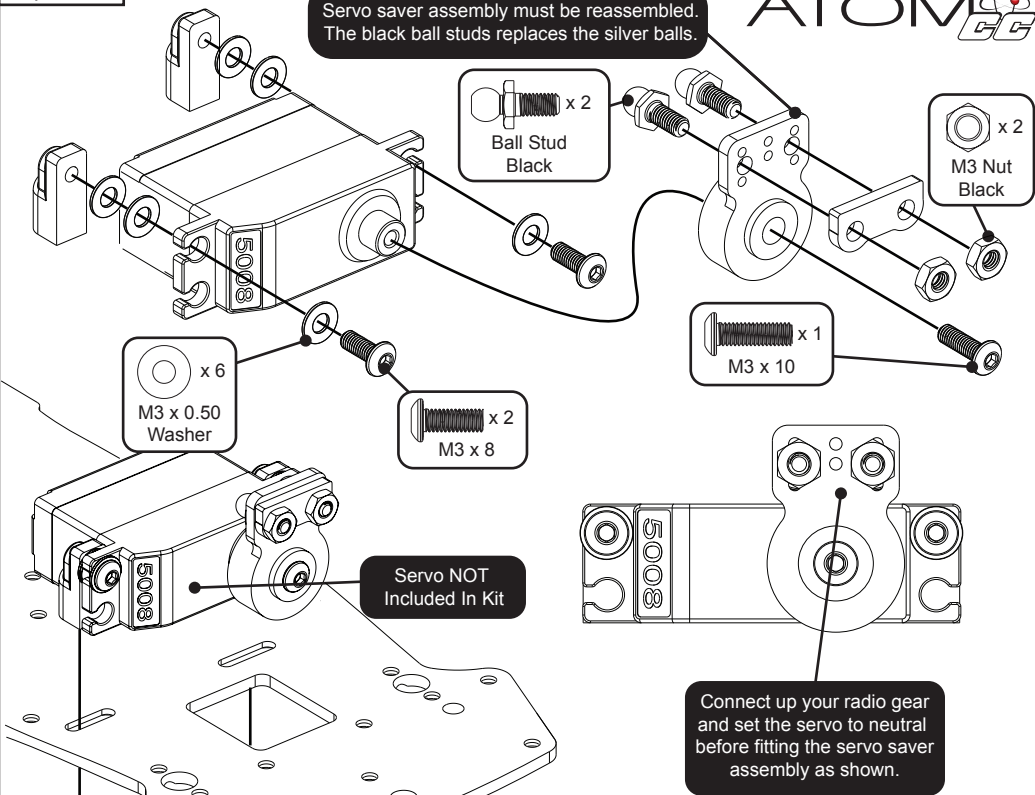




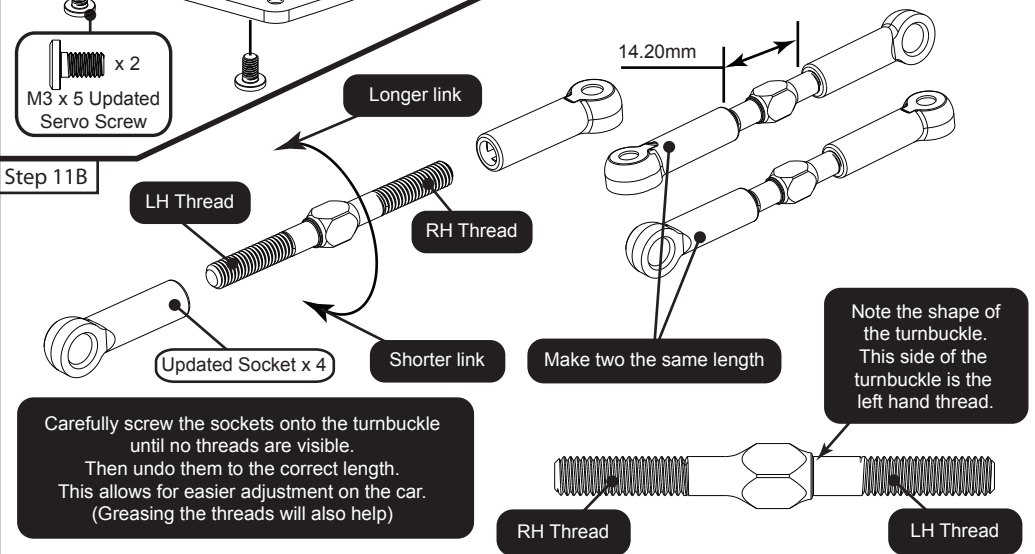
Supplementary Instructions

Step 11A+C

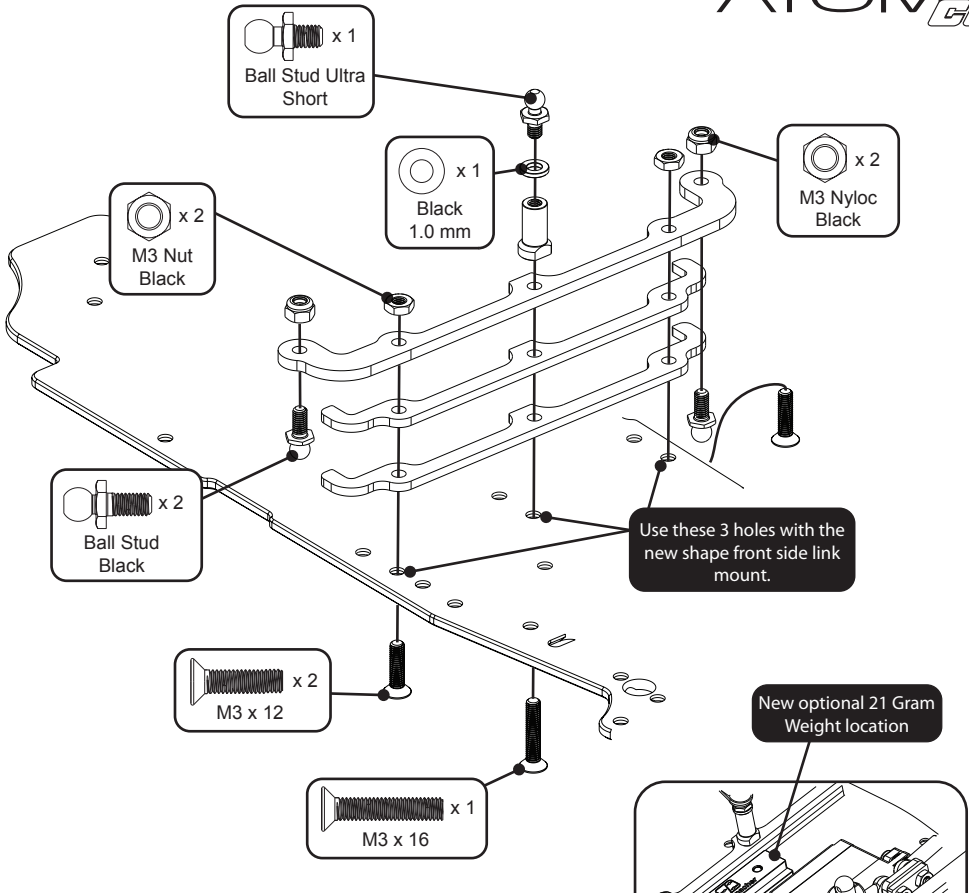
Servo saver assembly must be reassembled. The black ball studs replaces the silver balls.



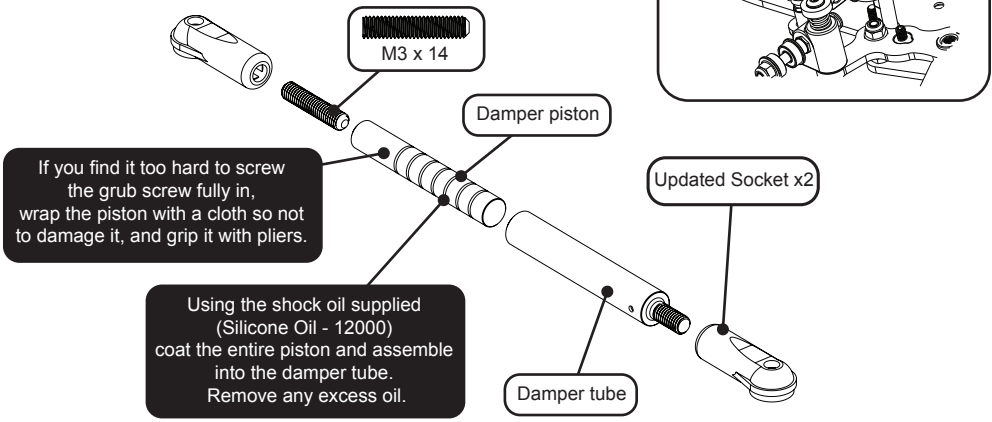
Step 11B



Step 1



Step 7A



supastox

ATOM



the speed is in the details

Instruction Manual



Schumacher
racing-cars.com

Schumacher Racing
71-73 Tenter Road
Moulton Park
Northampton
NN3 6AX
U.K
www.racing-cars.com

S1388

Additional Items Required

Transmitter and receiver

CR151 - CODE FHSS LCD 2.4G 2 Stick 3Ch Tx+Rx
 CR153 - CODE Sport 2.4G 2 Stick 3Ch Tx+Rx
 CR277 - CODE Steerwheel 2.4G 3Ch Tx+Rx



(Batteries not included)

1/12th Servo



CR194 - CORE RC 1/12th/GT12 Servo - 5Kg - 0.08 Sec
 KO30114 - Servo - RSx 12 - 7.5Kg

Speed Controller

CR173 - PACE 45R Brushless ESC 1s/2s
 CR199 - PACE 60R Brushless ESC 1S/2S



G796 Male Connector Plugs (pk 2)
 SPW1403 High Current 14AWG Wire

Li-Po Battery

CR172 CORE RC - 3200mAhR 3.7V 25C 1S Lipo



Motor



Pinion Gear



Battery Charger



CR161 UAC50 Charger 12v/110-240v 6A
 CR492 LAC20 - 1S-4S 20W AC Charger

Bodyshell and Paint



CR044 Curved Body Scissors



U2818 Schumacher Body Reamer



Long nose Pliers



U2789 Hex Driver - 1.5mm
 U2790 Hex Driver - 2.0mm
 U2791 Hex Driver - 2.5mm
 U2792 Hex Driver - 3.0mm



U2795 M3 Nut Driver
 U2796 M4 Nut Driver

Soldering Iron
 CR286 40w
 CR275 80w



U3107 - Solder

ATOM

the speed is in the details

Schumacher Racing stocks and distributes the following manufacturers products and all product listings are available on our website at

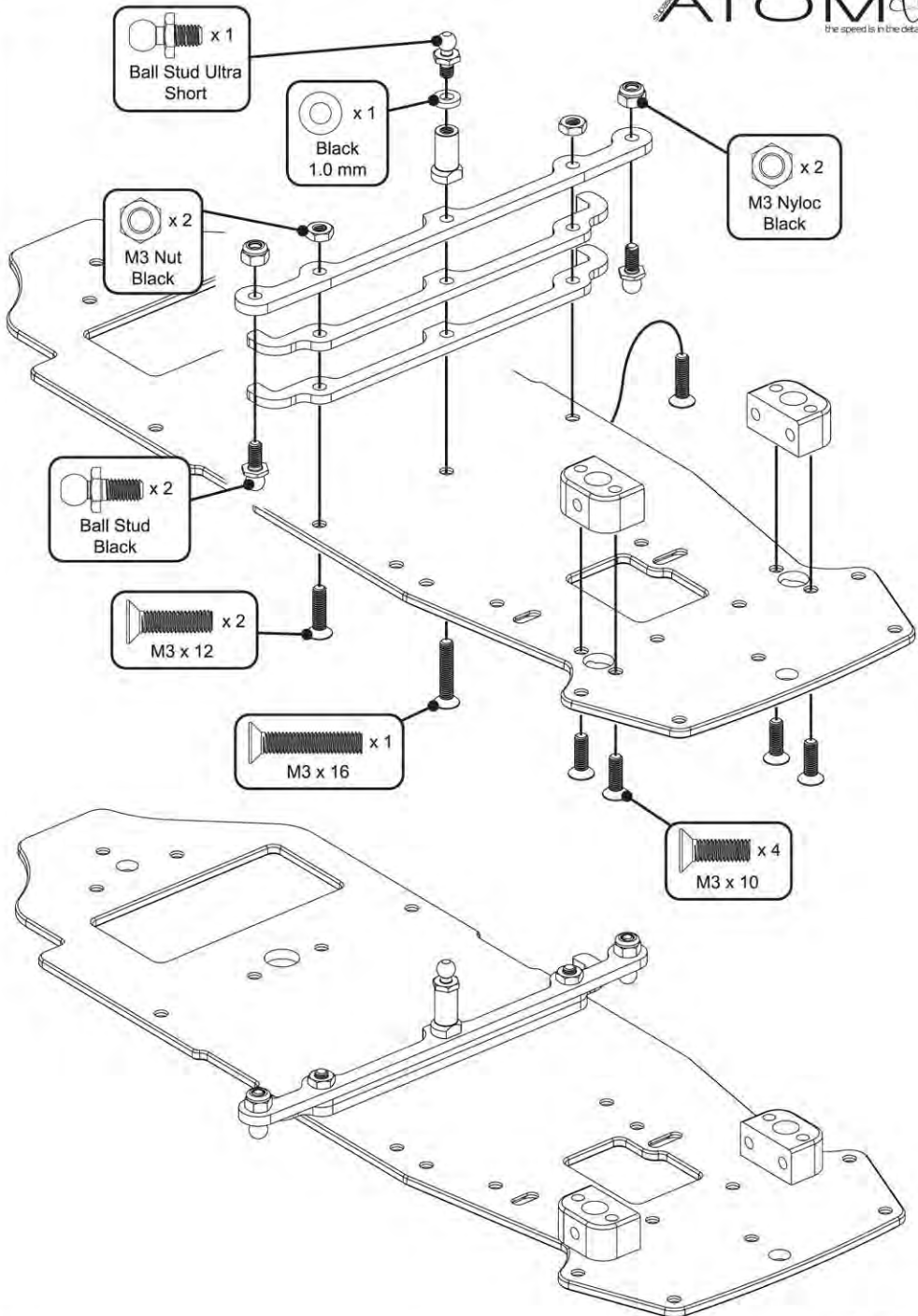
www.racing-cars.com

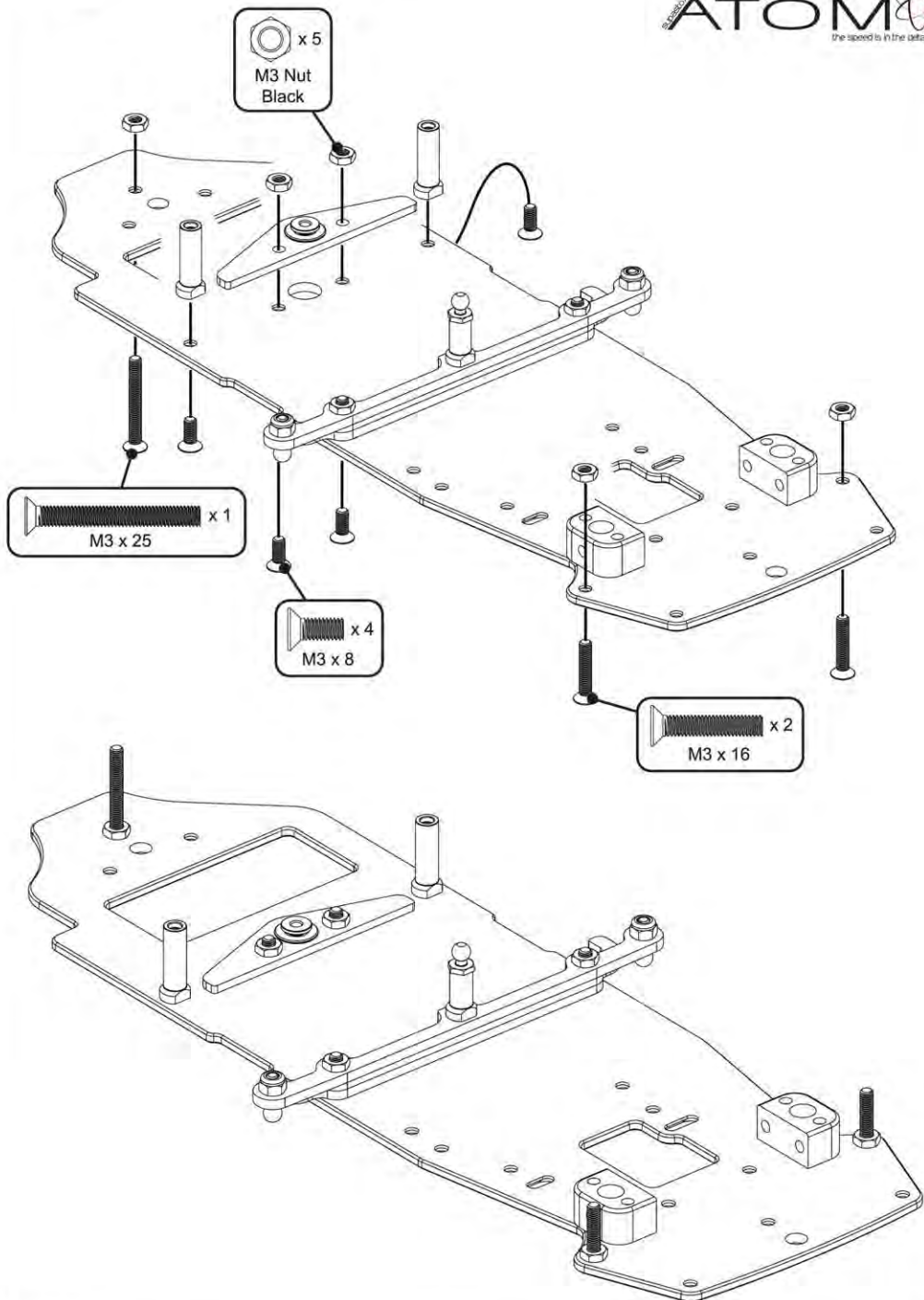
PLEASE NOTE THAT SOME OF THE PRODUCT RANGES BELOW ARE ONLY AVAILABLE IN THE UNITED KINGDOM.

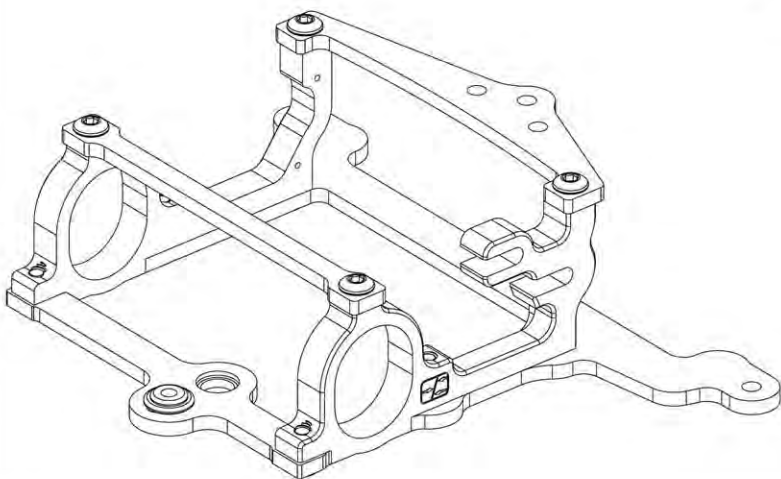
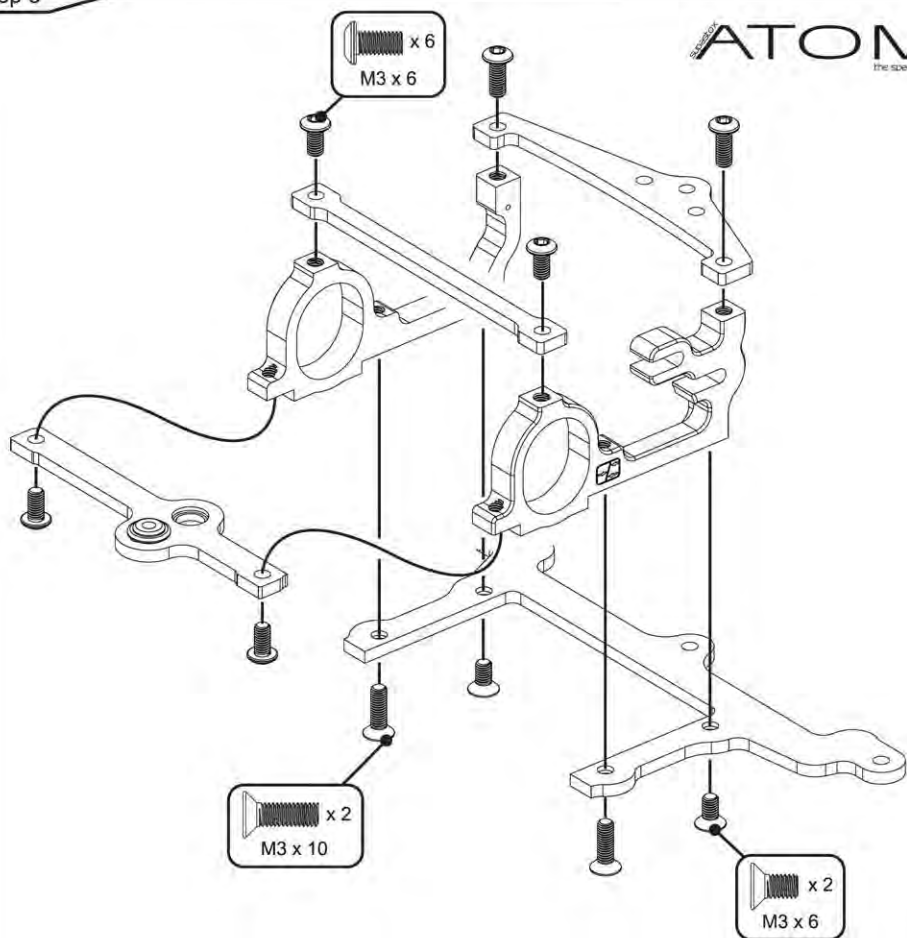


IMPORTANT SAFETY NOTES

- This product is not suitable for children under the age of 14, without the direct supervision of a responsible adult.
- Select an area for assembly that is away from the reach of small children.
- The parts in this kit are small and can be swallowed by children causing choking and possible internal injuries.
- Exercise care when using hand tools and sharp instruments during assembly.
- Carefully read all manufacturers warnings and cautions for any additional items used in the construction.
- In line with our policy of continuous development the exact details of the kit may vary.
- DO NOT use this car on public roads or in places where it can interfere with traffic, people or animals.
- Always check the operation of the radio with the wheels off the ground, before using the car.
- Make sure the radio and car batteries are fully charged before use.
- Disconnect and remove the battery from the car when not in use.
- Always store and charge LiPo batteries in a fireproof container.
- DO NOT put fingers or any objects inside rotating or moving parts as this may cause injury.
- Make sure the charger is correctly set for the type of battery you are using. Incorrect charging may cause a fire.
- Insulate all exposed electrical wiring. Exposed or damaged wires can cause short circuits and fire.
- The motor and speed controller can become hot during use.
- DO NOT touch them immediately after using your car as this may cause injury.

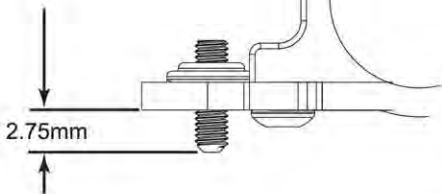
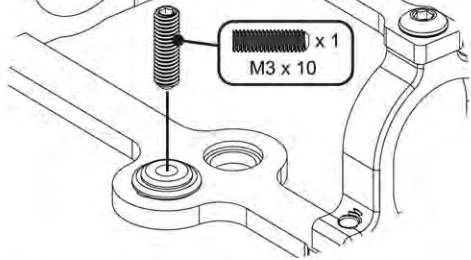






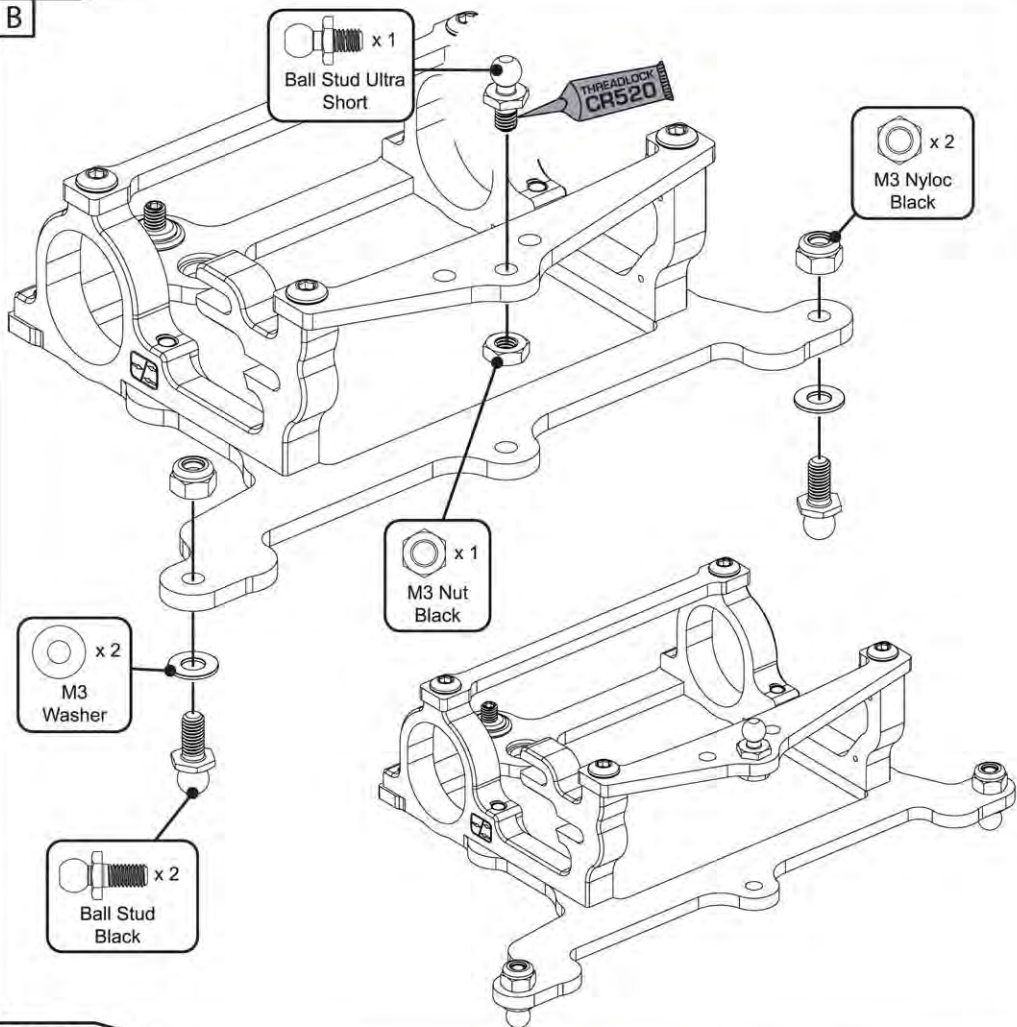
Step 4

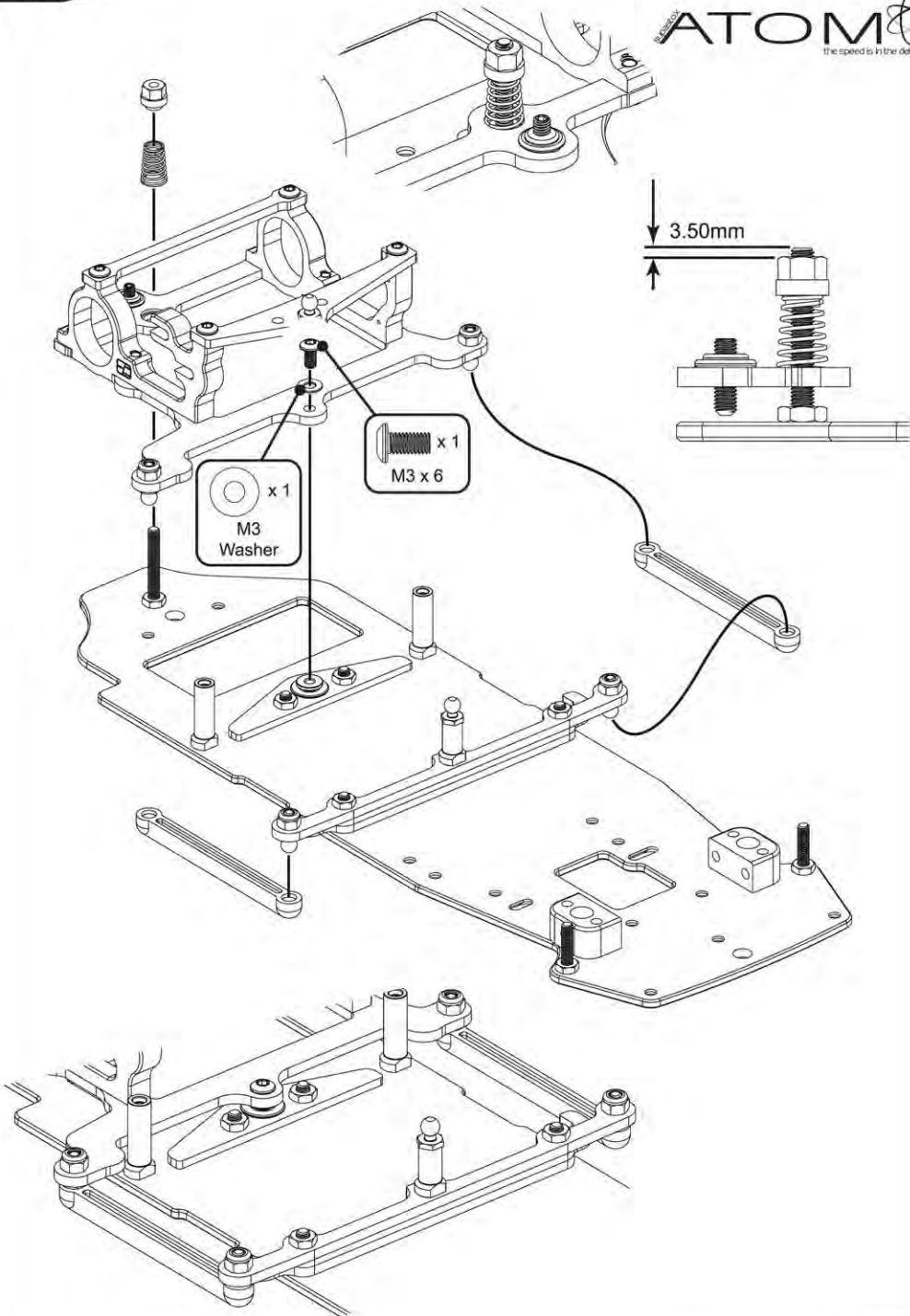
A



Step 4

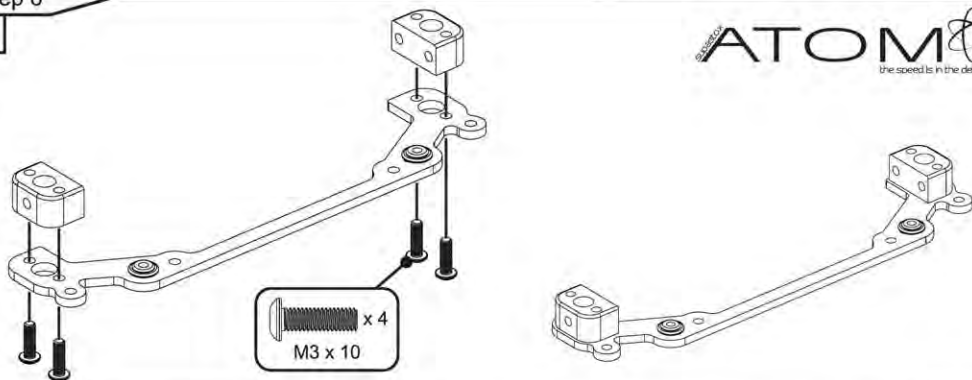
B





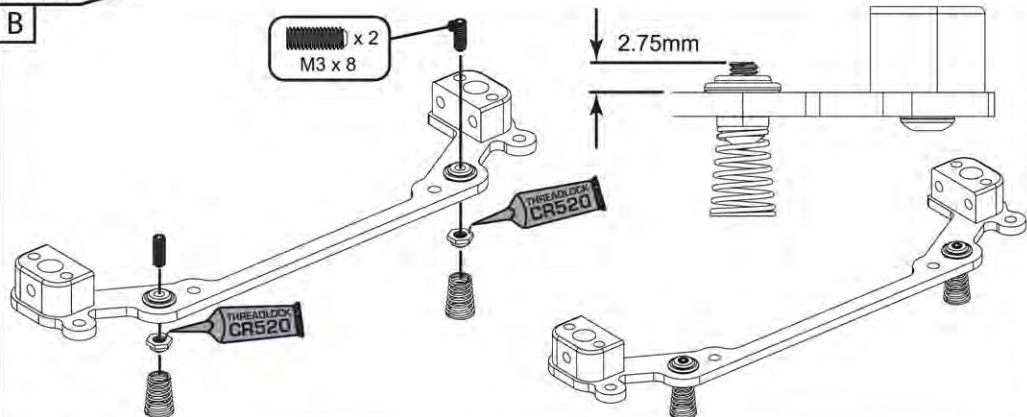
Step 6

A



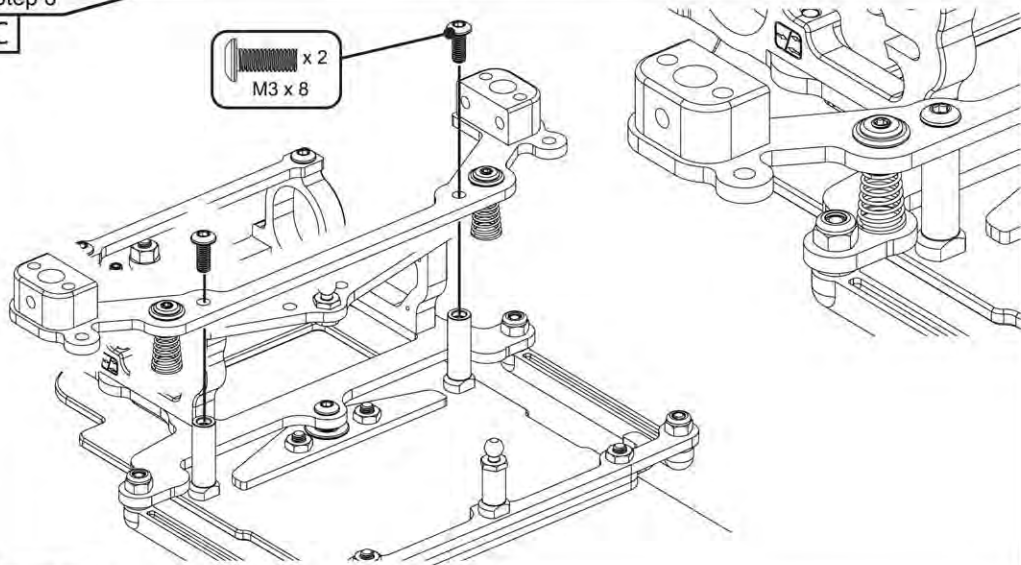
Step 6

B



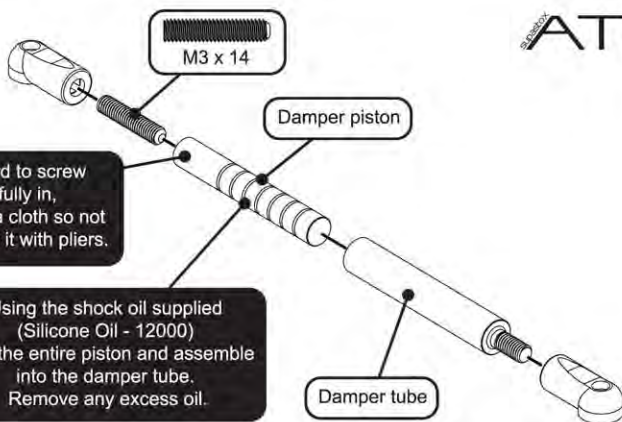
Step 6

C



Step 7

A

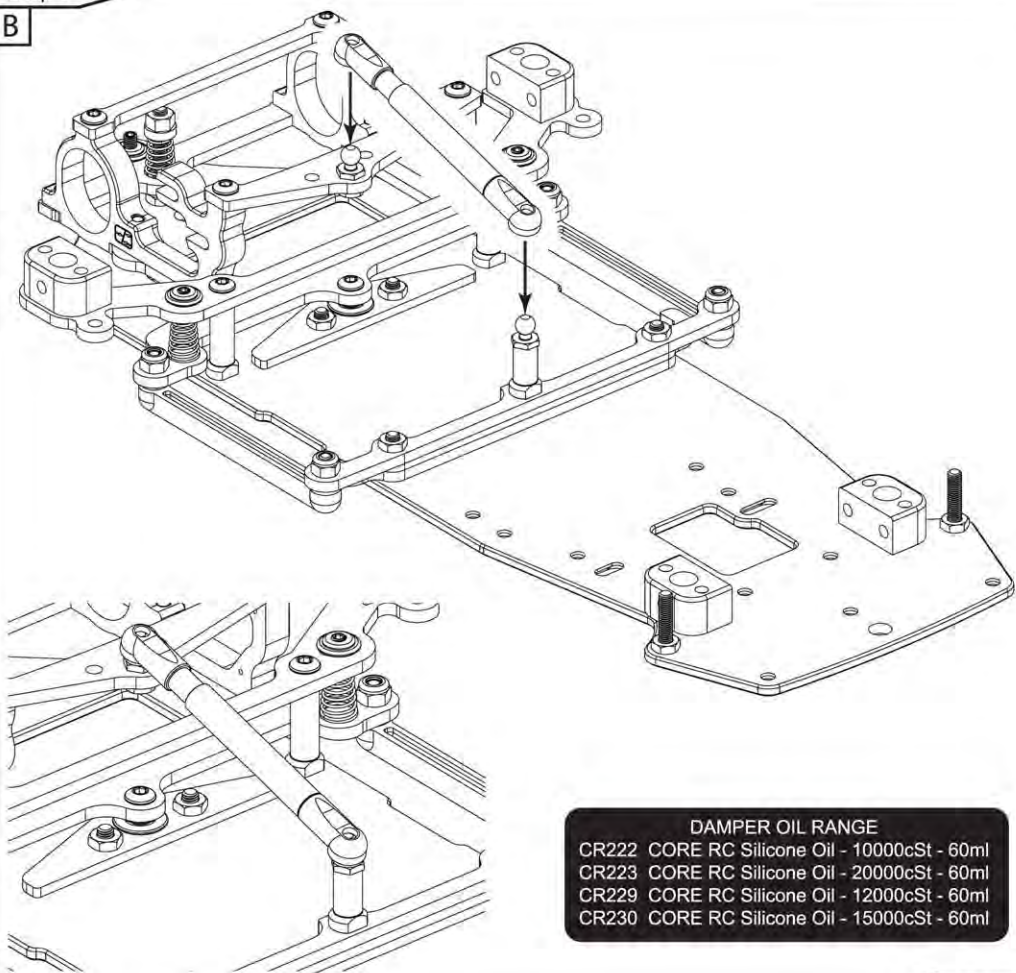


If you find it too hard to screw the grub screw fully in, wrap the piston with a cloth so not to damage it, and grip it with pliers.

Using the shock oil supplied (Silicone Oil - 12000) coat the entire piston and assemble into the damper tube. Remove any excess oil.

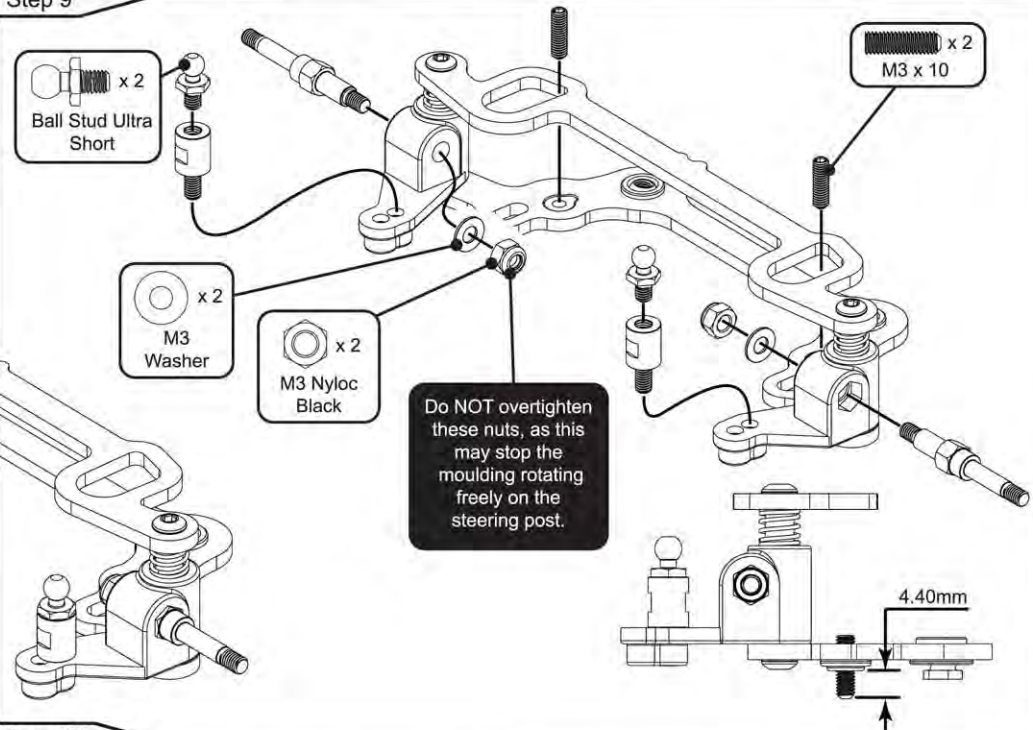
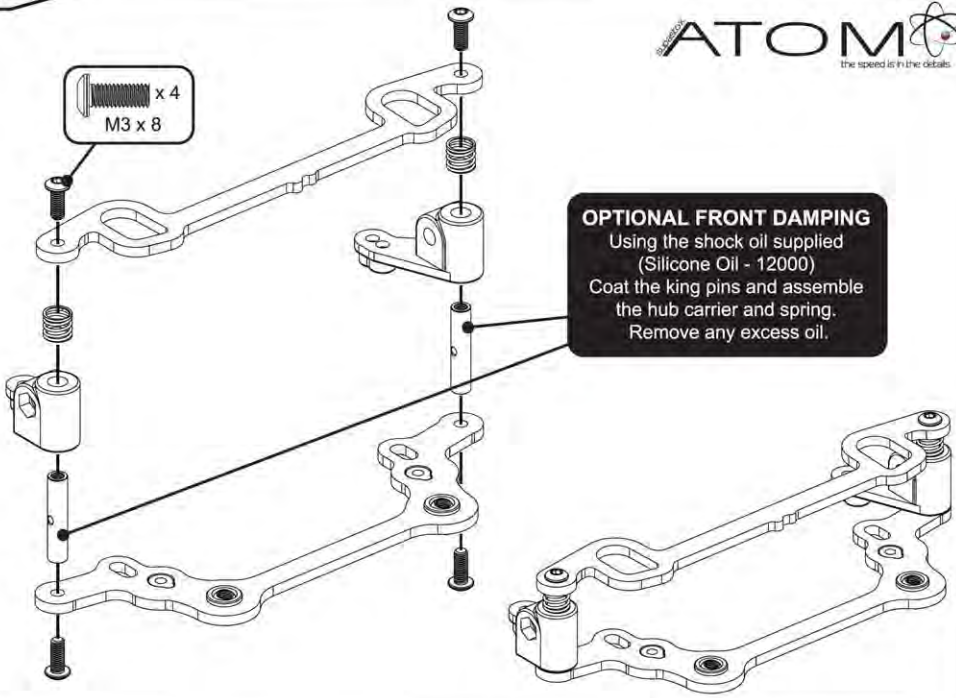
Step 7

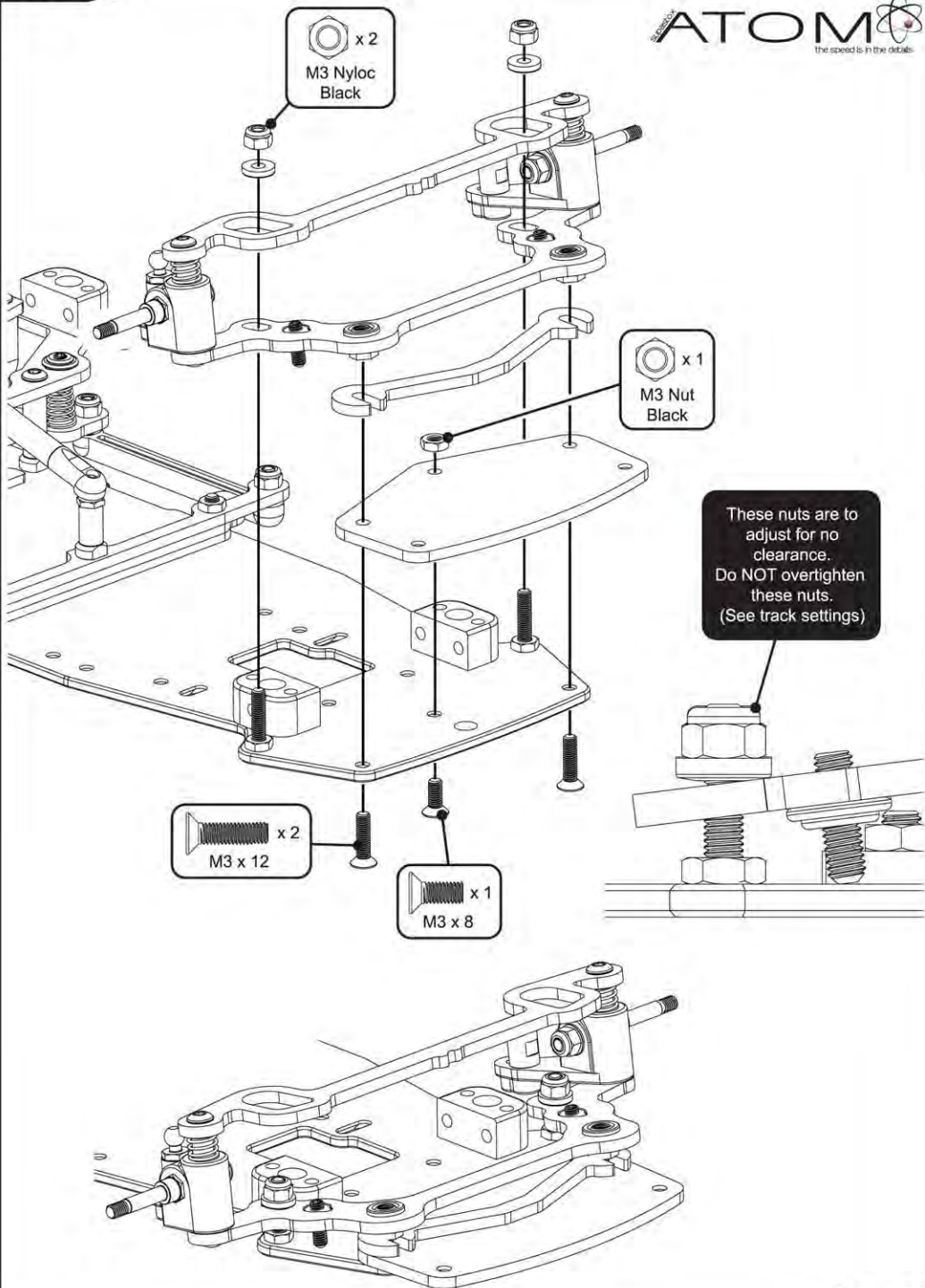
B



DAMPER OIL RANGE

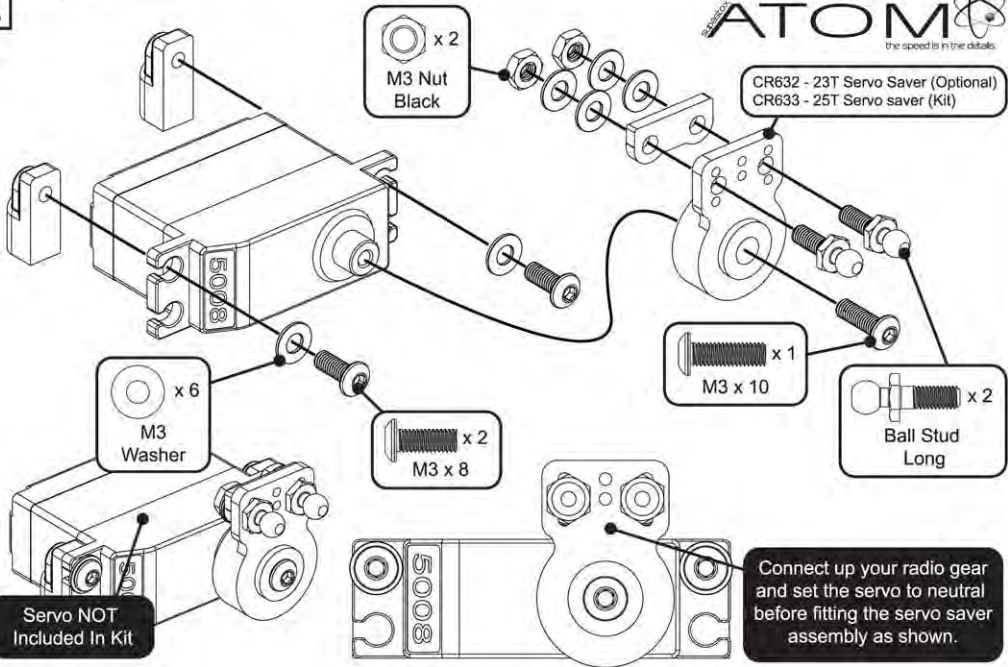
- CR222 CORE RC Silicone Oil - 10000cSt - 60ml
- CR223 CORE RC Silicone Oil - 20000cSt - 60ml
- CR229 CORE RC Silicone Oil - 12000cSt - 60ml
- CR230 CORE RC Silicone Oil - 15000cSt - 60ml





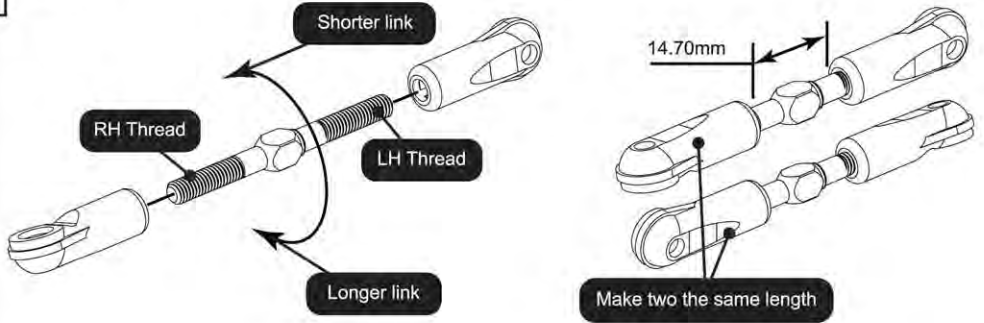
Step 11

A



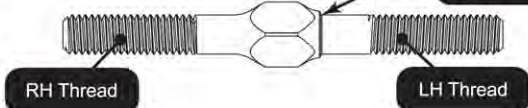
Step 11

B

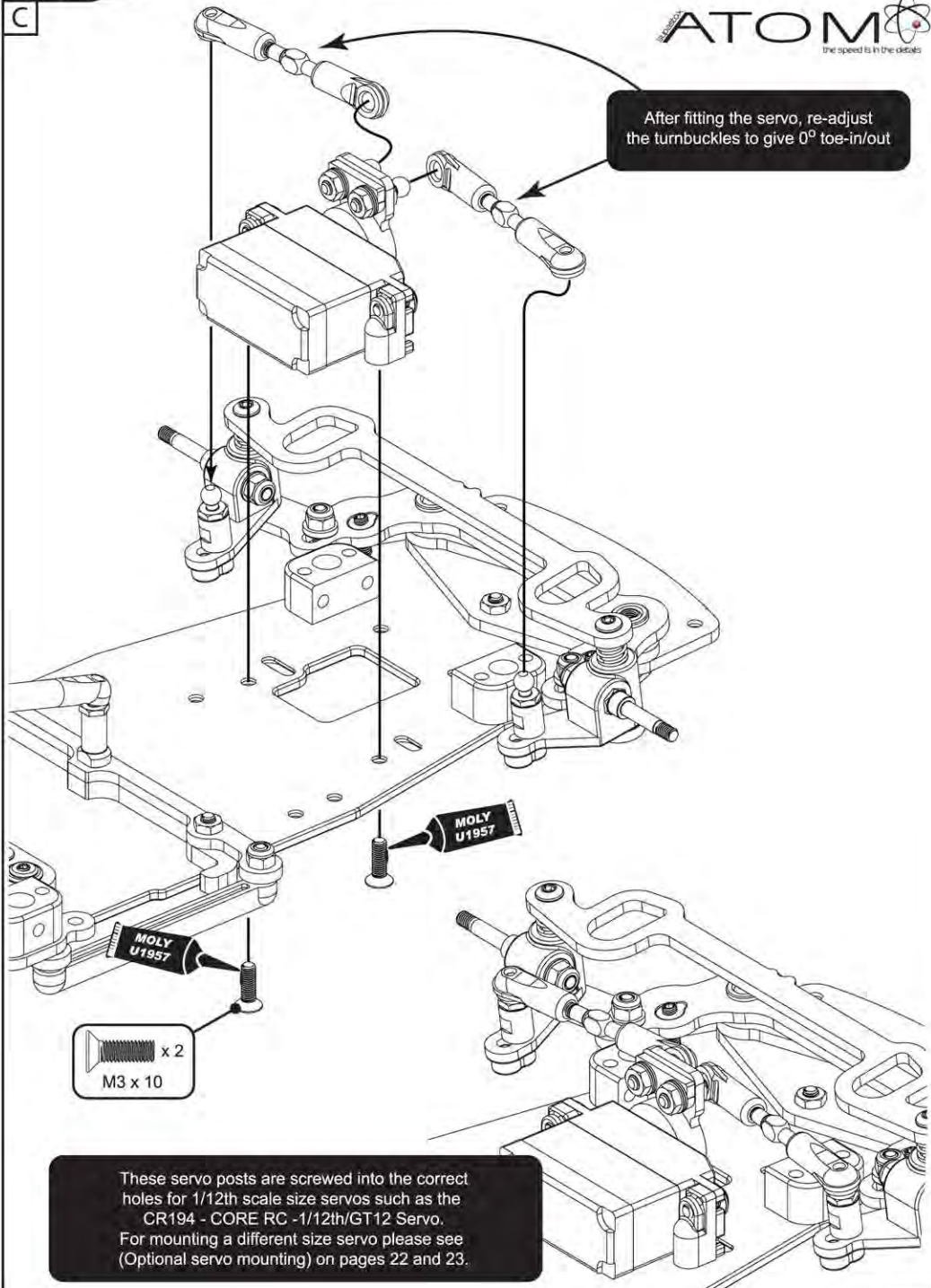


Carefully screw the sockets onto the turnbuckle until no threads are visible. Then undo them to the correct length. This allows for easier adjustment on the car. (Greasing the threads will also help)

Note the shape of the turnbuckle. This side of the turnbuckle is the left hand thread.



After fitting the servo, re-adjust the turnbuckles to give 0° toe-in/out

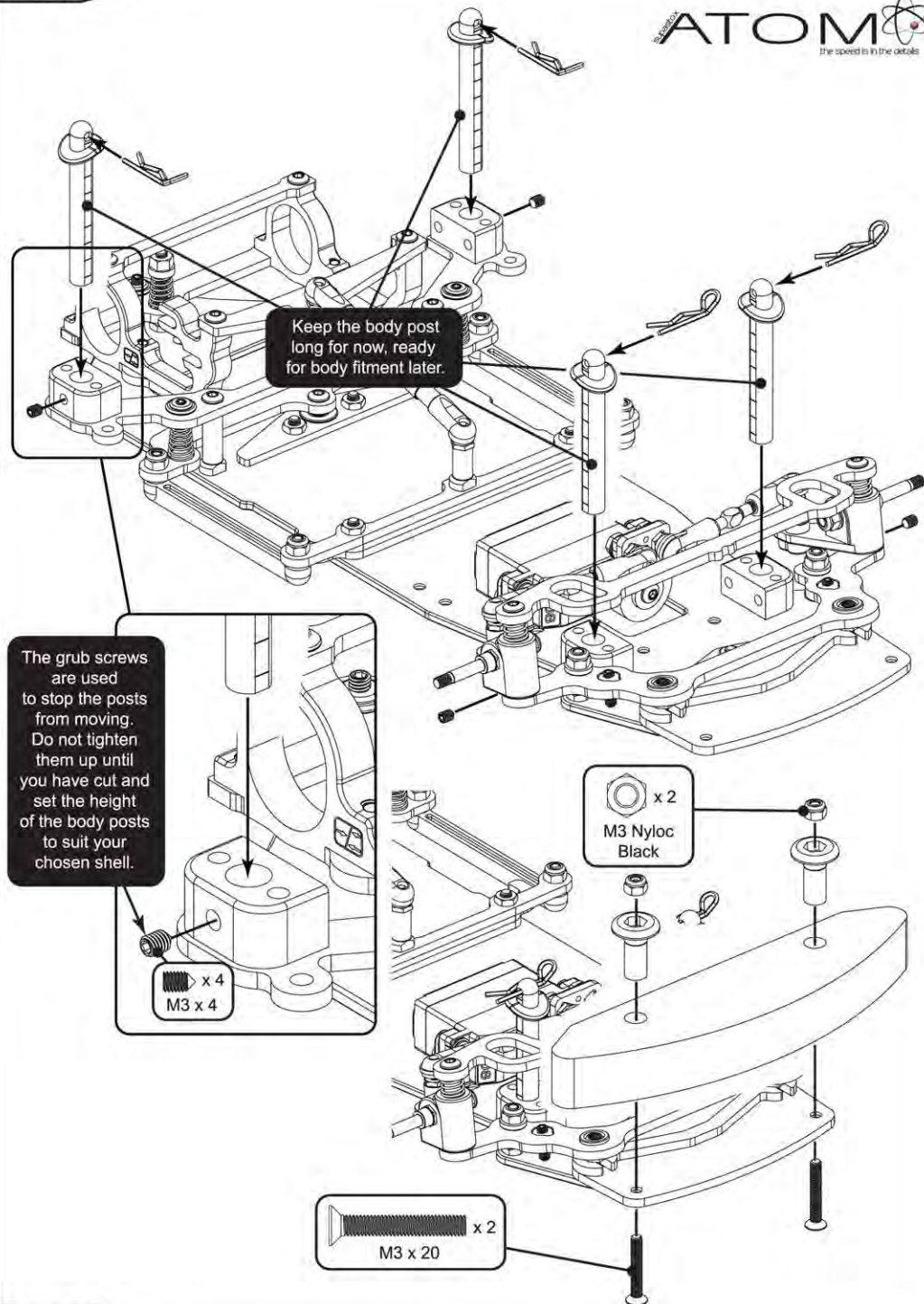


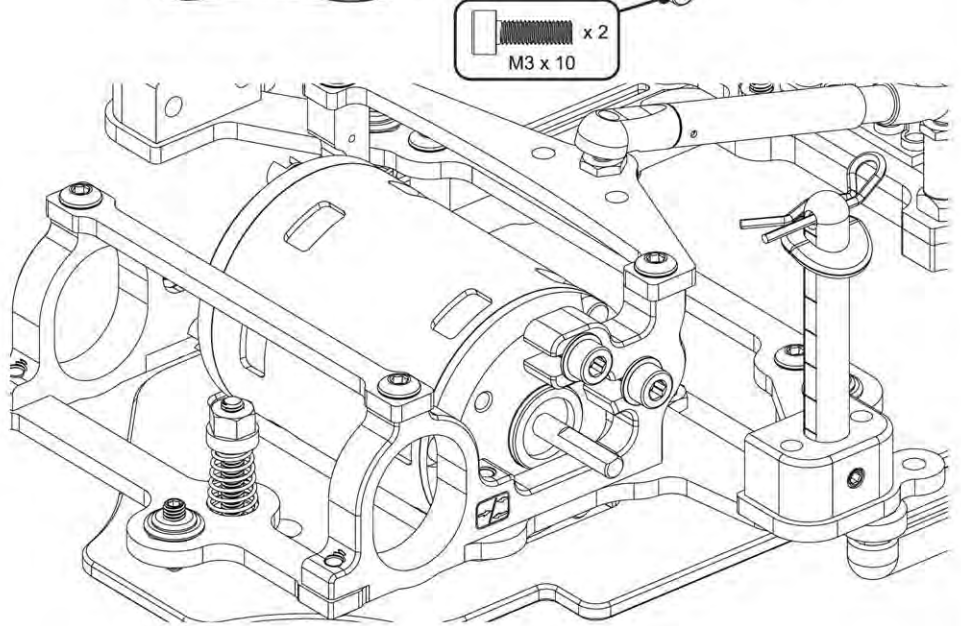
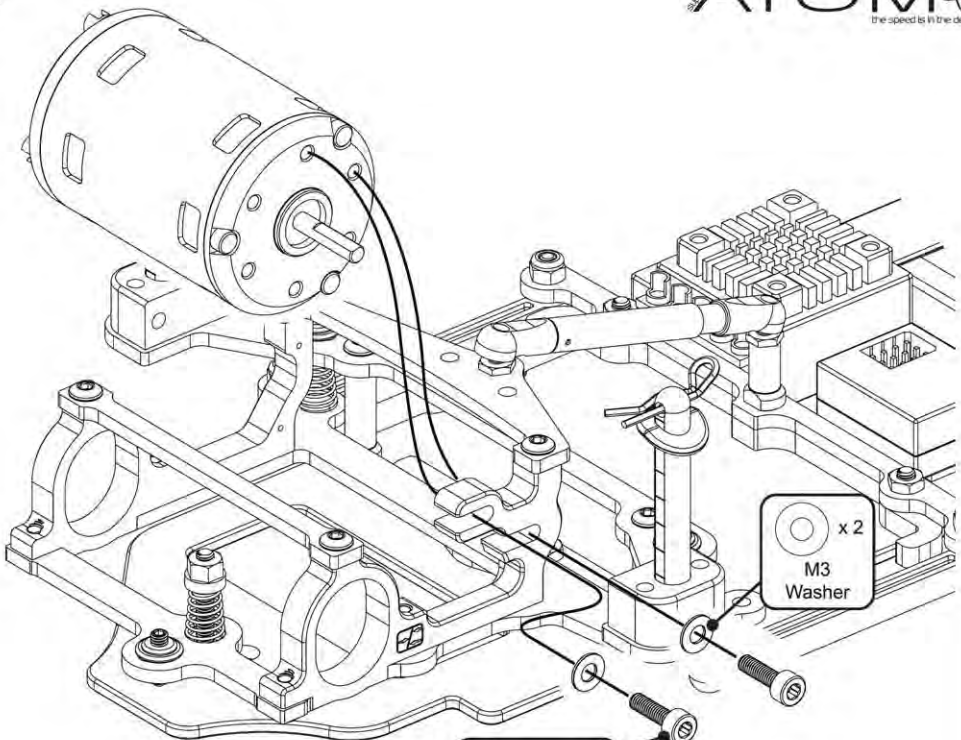
MOLY U1957

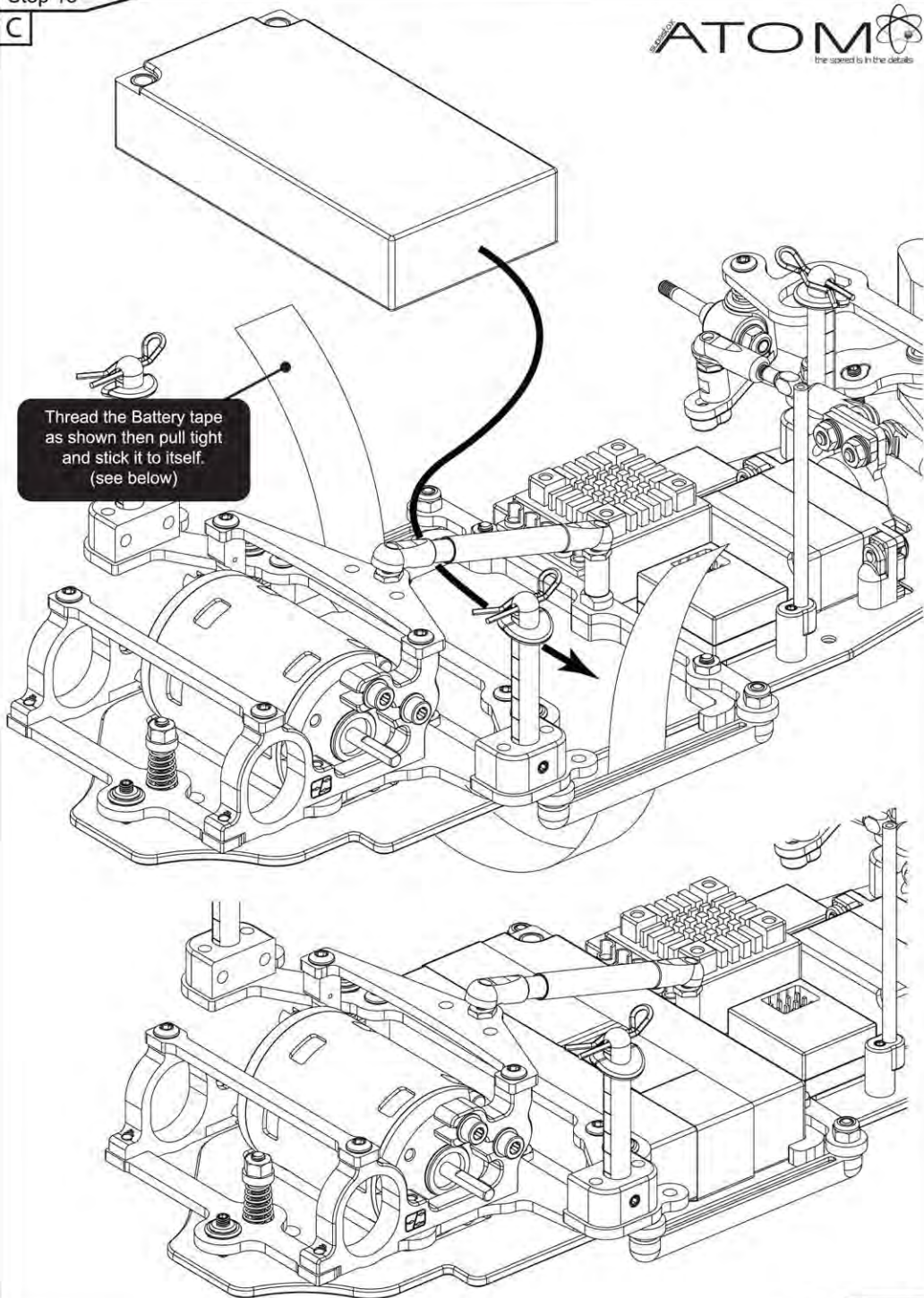
MOLY U1957

x 2
M3 x 10

These servo posts are screwed into the correct holes for 1/12th scale size servos such as the CR194 - CORE RC -1/12th/GT12 Servo. For mounting a different size servo please see (Optional servo mounting) on pages 22 and 23.

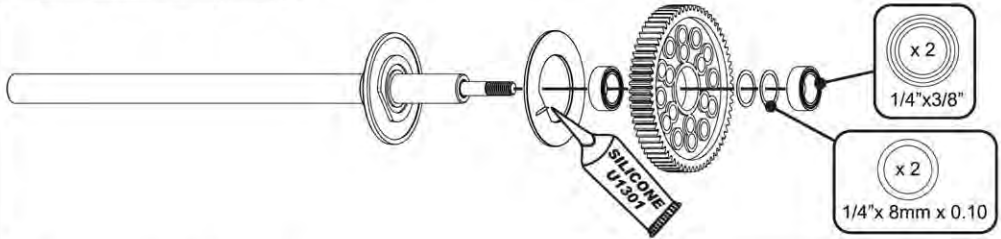




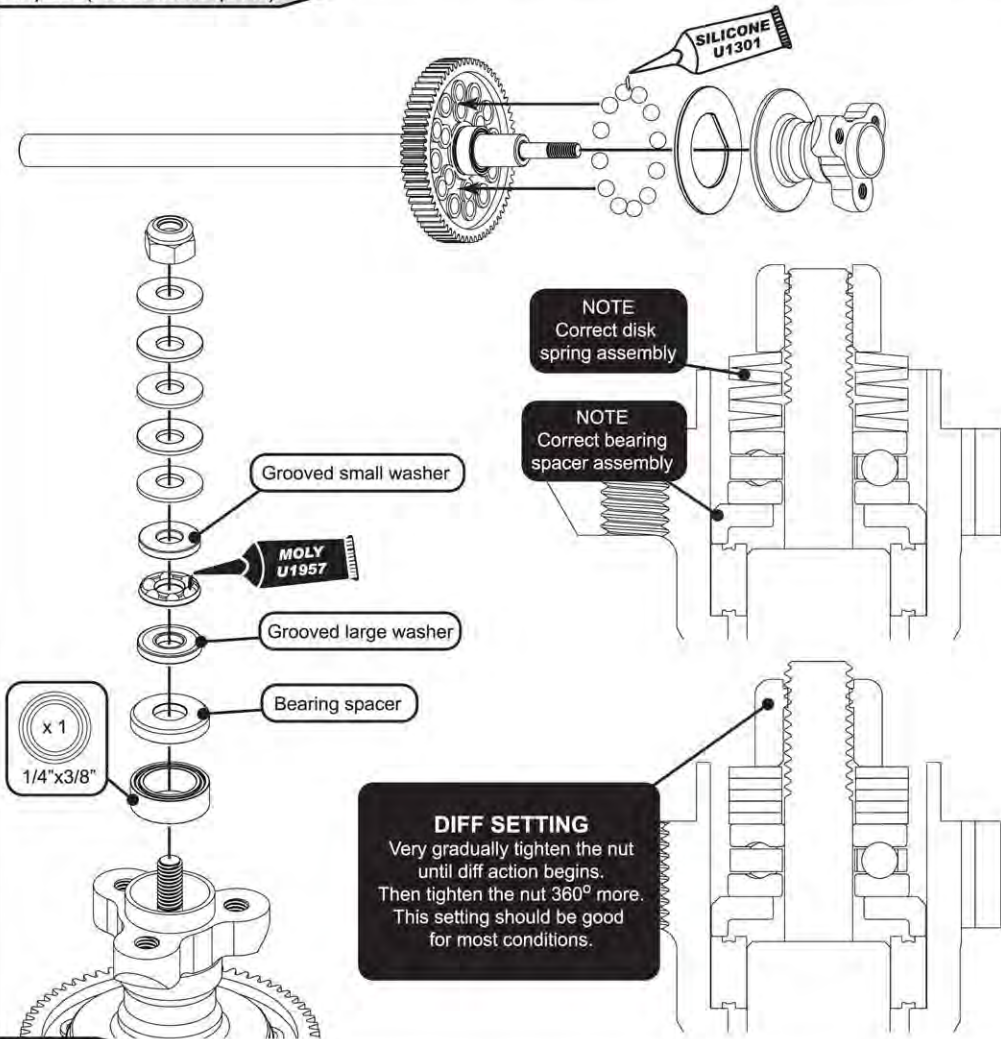


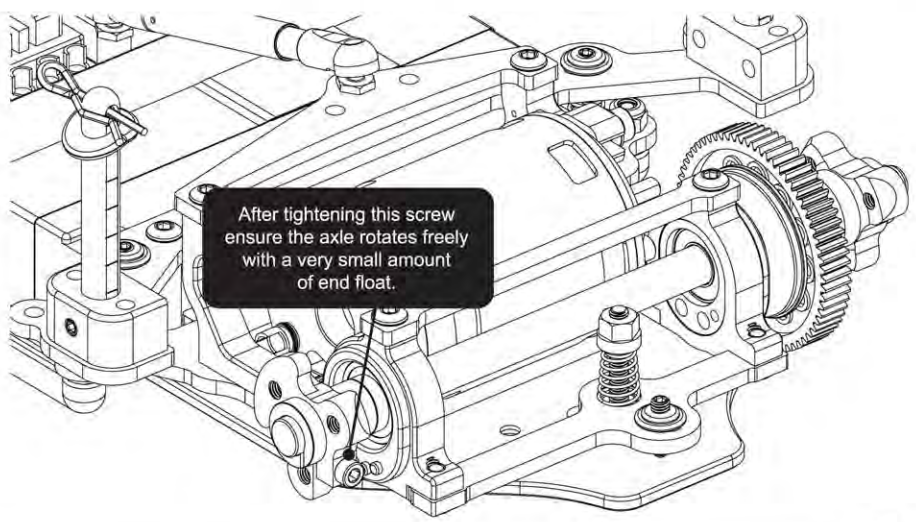
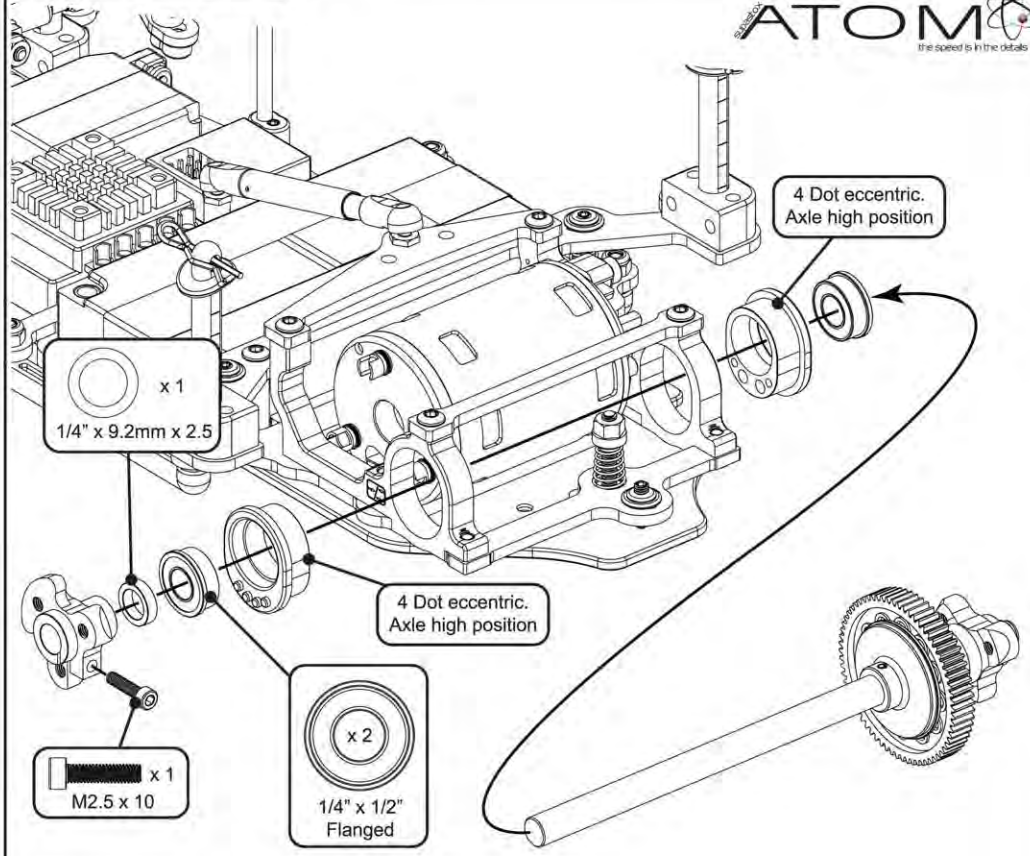
If you are building the kit with the differential, continue with Step 14.
 If you are building the fixed axle kit, go to page 19 Step 16.

Step 14 (Differential option)

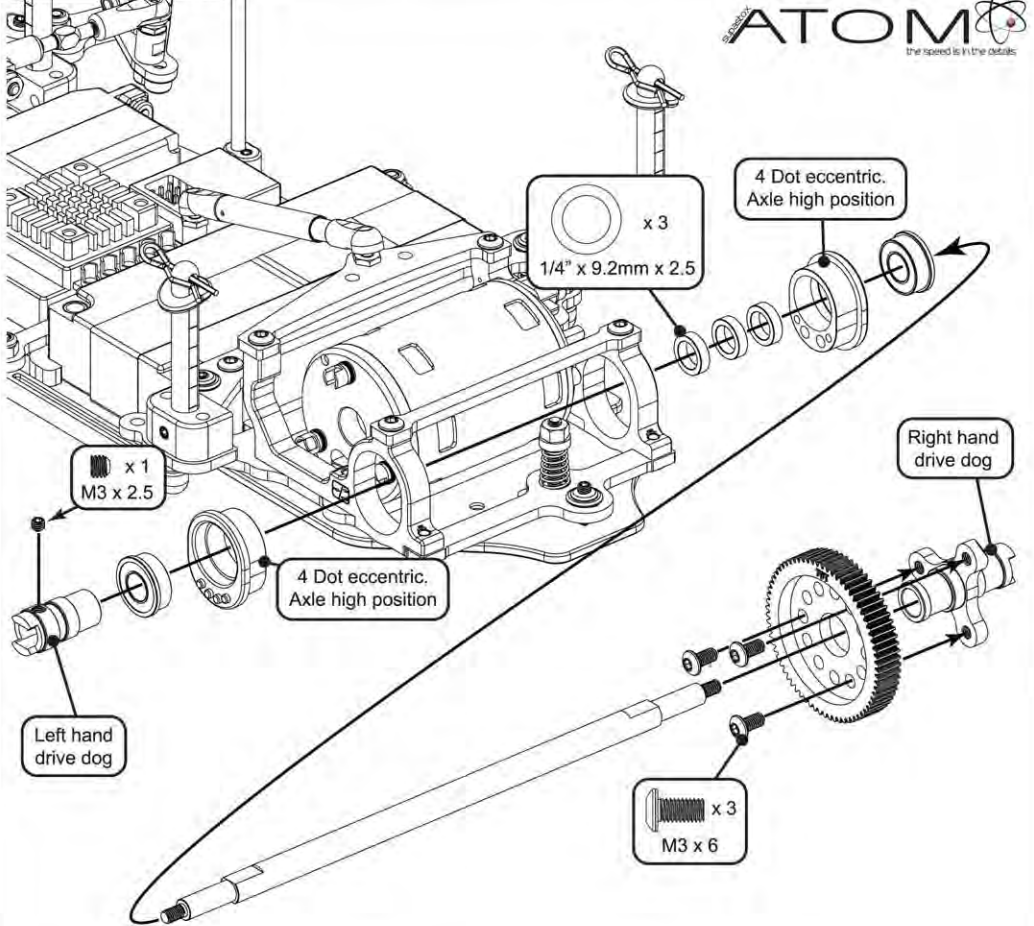


Step 15 (Differential option)

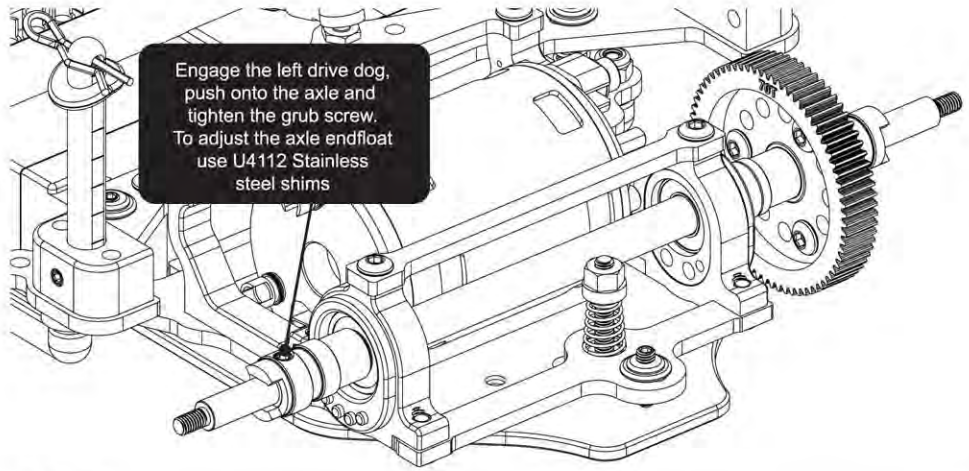




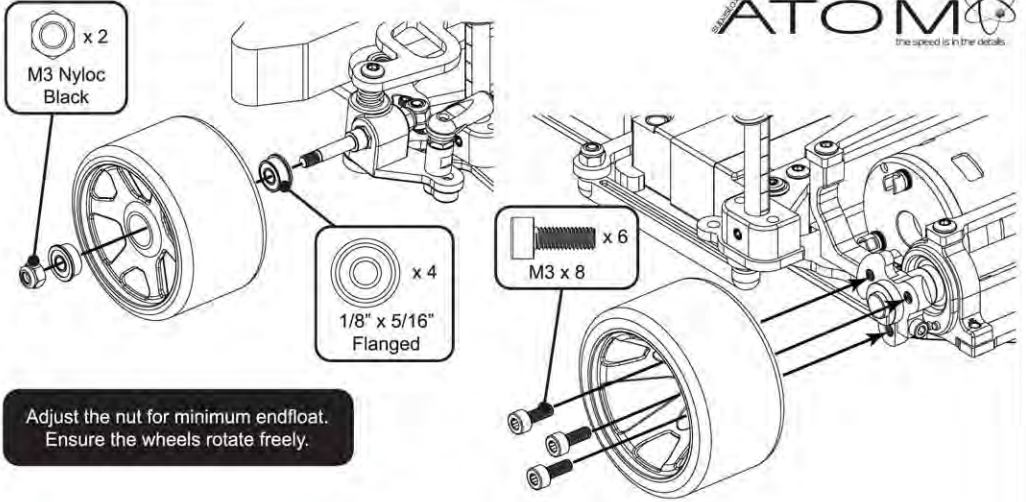
Step 16 (Fixed Axle)



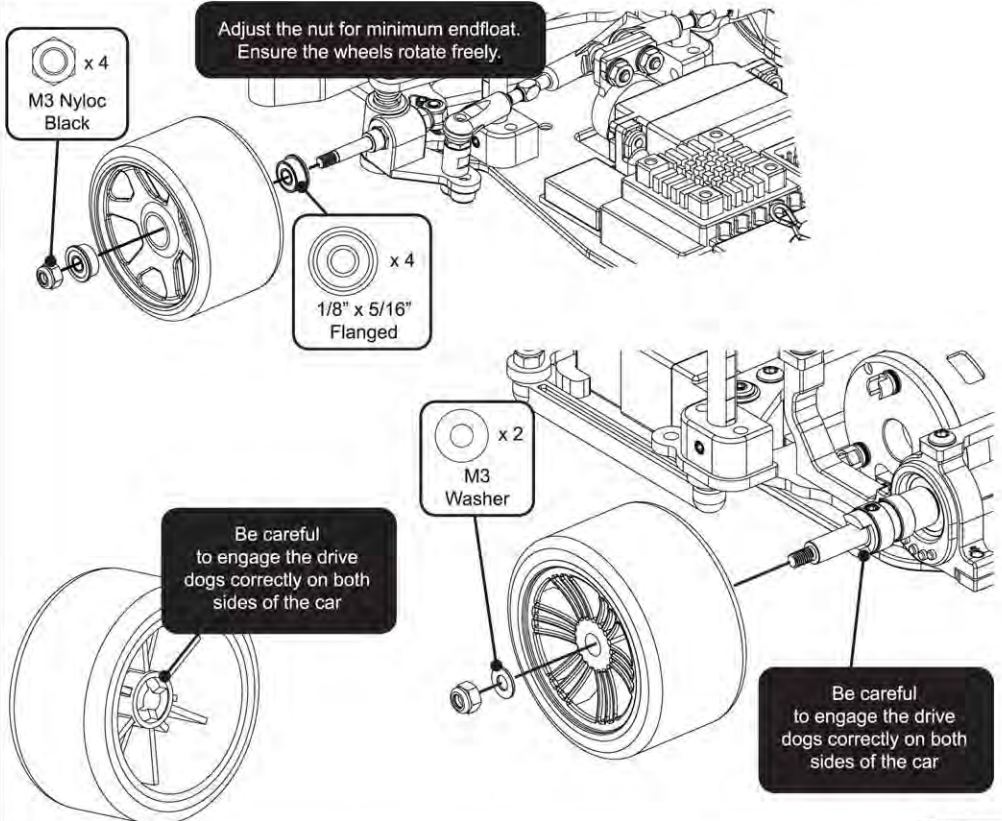
Engage the left drive dog, push onto the axle and tighten the grub screw. To adjust the axle endfloat use U4112 Stainless steel shims

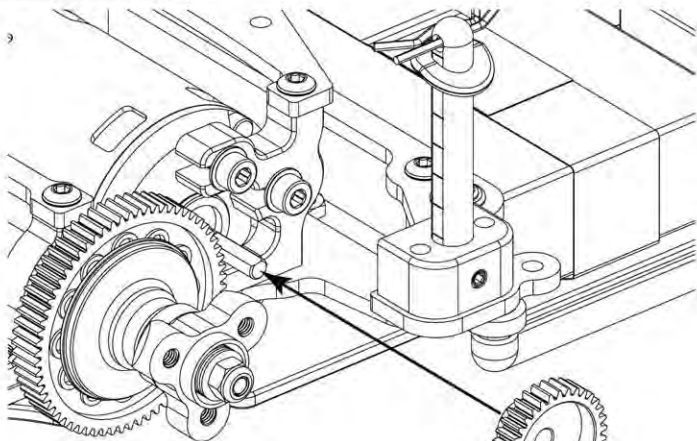


Step 17 (Differential option)

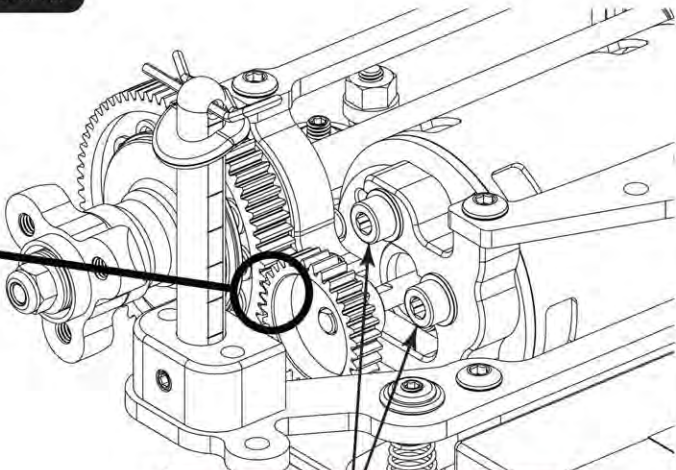


Step 17 (Fixed Axle)

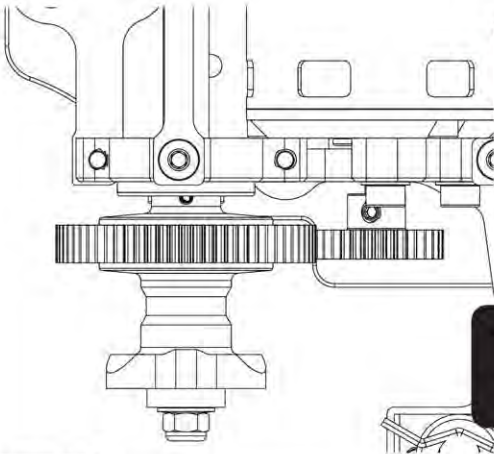




Pinion NOT
Included In Kit



To mesh the motor undo these two screws.
Gently move the motor into the correct mesh.
Lock the setting by tightening the screws.

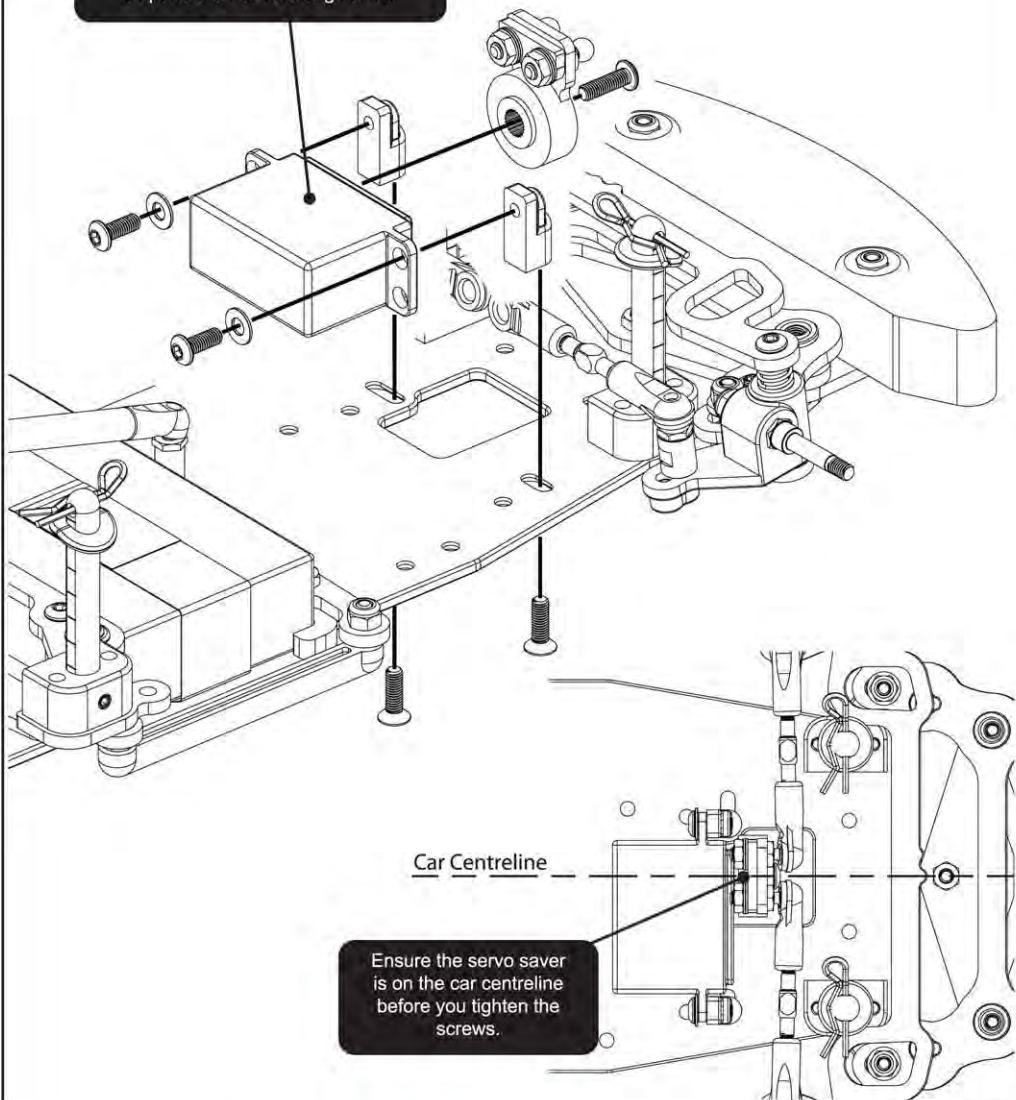


Adjust the gear mesh to be
as close as possible but
with some small clearance
so they don't drag or bind.

Remember when buying a servo to get the correct servo saver.
CR632 Core RC 1/12th Servo Saver 23T
CR633 Core RC 1/12th Servo Saver 25T (Kit Spec)

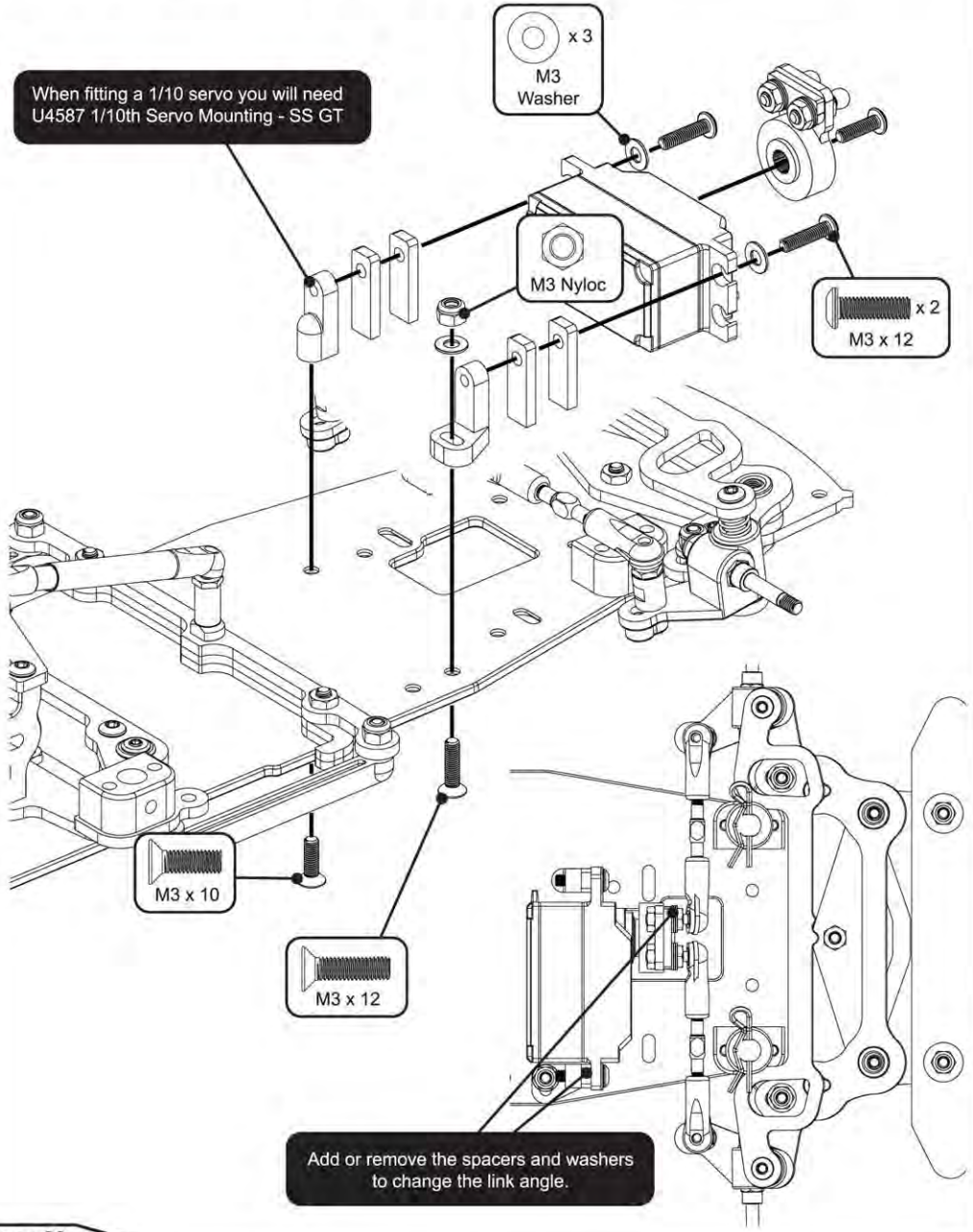
KO30114 - Servo - RSx 12 - 7.5Kg

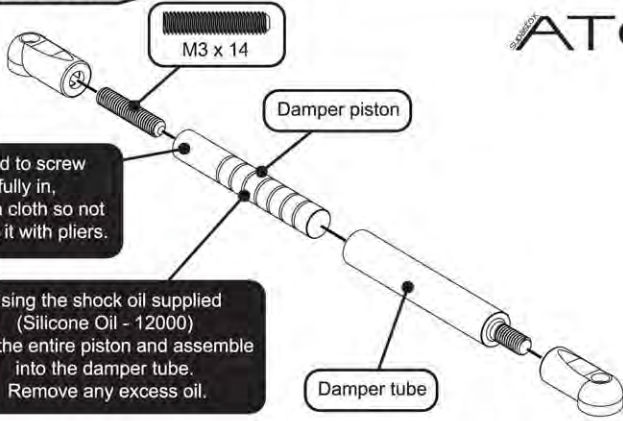
Apart from the servo
all parts are from the original kit.



Remember when buying a servo to get the correct servo saver.
CR632 Core RC 1/12th Servo Saver 23T
CR633 Core RC 1/12th Servo Saver 25T (Kit Spec)

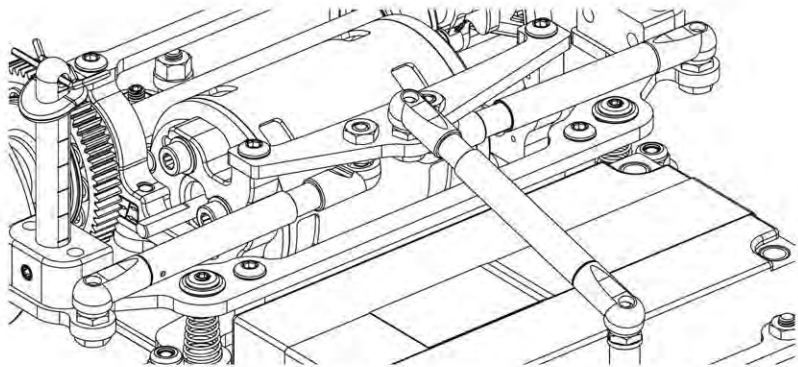
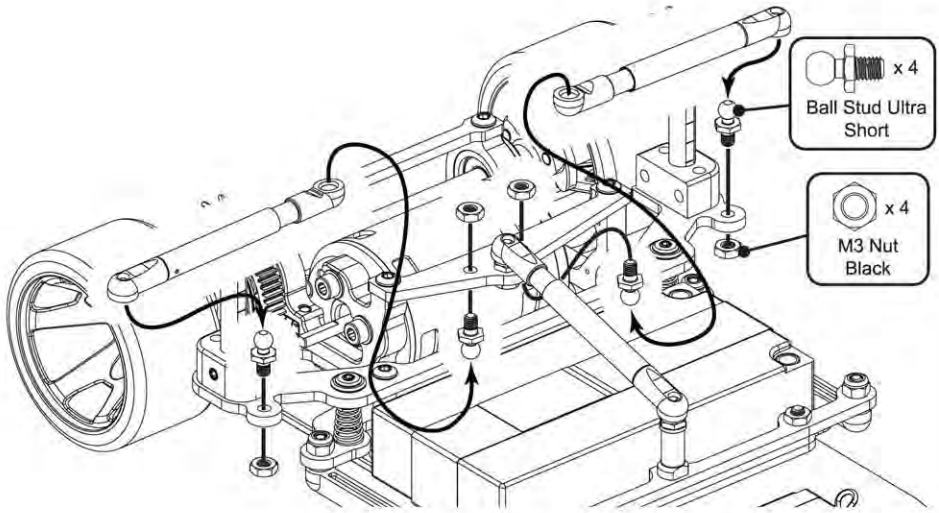
CR495 CORE RC - 9009LP Low Profile Servo 8Kg .09 Sec





If you find it too hard to screw the grub screw fully in, wrap the piston with a cloth so not to damage it, and grip it with pliers.

Using the shock oil supplied (Silicone Oil - 12000) coat the entire piston and assemble into the damper tube. Remove any excess oil.



Gear Ratio's Pro Car (Diff)

Divide the number of teeth on the spur by the number of teeth on the pinion to calculate the gear ratio. (e.g. $69/25 = 2.76$)

A bigger pinion (lower numerical gear ratio) will give more top speed, and less acceleration, be careful not to 'overgear' the car with too big a pinion, because this can cause overheating and damage the speed controller and motor. Always start with a small pinion first.

The rear tyre diameter also effects the gear ratio.

A more accurate method of gear ratio measurement is 'mm/rev', because this takes into consideration the tyre diameter.

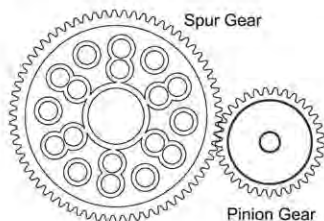
The example below shows how to do this.

For 50mm tyres.

First work out the gear ratio from the spur gear and pinion (For example $69/25 = 2.76$).

Then work out the following equation.

$$\frac{50 (\text{tyre dia}) \times \pi (3.142)}{2.76 (\text{gear ratio})} = 56.92\text{mm/rev}$$



48DP GEARS

Pinion

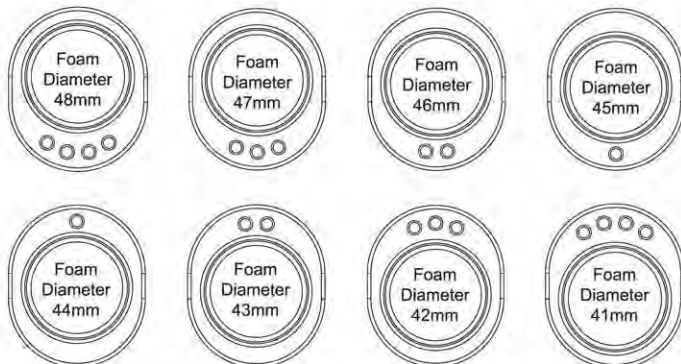
	20	21	22	23	24	25	26	27	28	29	30	31	32	33	34	35	36	37	38	39	
66							2.53	2.44	2.35	2.27	2.20	2.12	2.06	2.00	1.94	1.88	1.83	1.78	1.73	1.69	
69				3.00	2.87	2.76	2.65	2.55	2.46	2.37	2.30	2.22	2.15	2.09	2.02	1.97	1.91				
72	3.60	3.42	3.27	3.13	3.00	2.88	2.76	2.66	2.57	2.48	2.40	2.32	2.25	2.18							

Minimum Combined Tooth Sum 92T - Maximum Combined Tooth Sum 105T

Rear Ride Height

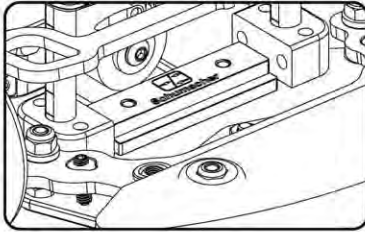
Ride height adjusters are paired to the foam tyre diameters.

Note the orientation of the pips, low or high depending on your foam diameter.

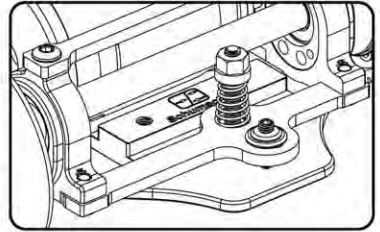


Chassis Weights

Using the weight at the front will give more steering, but will cause the initial steering input to react slower.

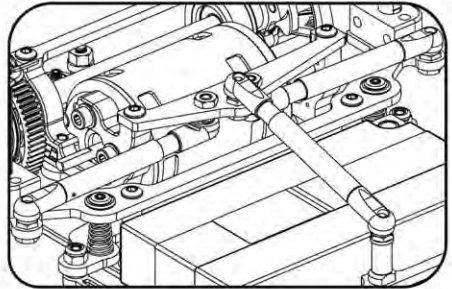


Using the weight at the rear will give more rear traction, and make the car easier to drive.



Damper units

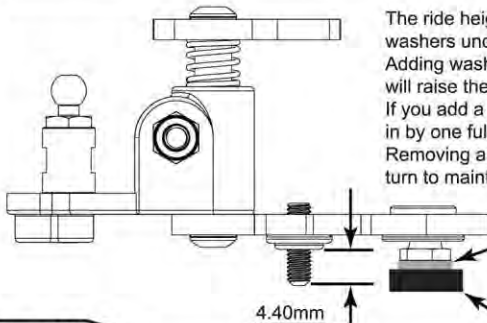
Start with 10,000wt oil for low grip conditions rising to 20,000wt for higher grip conditions



Front Castor and Ride Height

The initial castor setting is 7°. Each degree of change is 0.25mm or half a turn on the grub screw. More Castor increases the amount of steering and aggression, Less Castor gives less steering but also makes the car easier to drive and can prevent traction rolling.

2.50mm Rake spacer	Castor Screw (mm)	Castor Angle
Yes	4.80	5°
Yes	4.65	6°
Yes	4.40	7° (Kit)
Yes	4.15	8°
No	2.40	5°
No	2.15	6°
No	1.90	7°
No	1.65	8°



The ride height may be altered by adding or removing washers under the pivot balls. Adding washers will lower the front ride height, removing washers will raise the ride height. If you add a 0.50mm washer you will then need to screw the grub screw in by one full turn to maintain the castor angle. Removing a 0.50mm washer you will need to undo the grub screw one full turn to maintain the castor angle.



G890 SupaStox Hot Hatch Type TS



G888 SupaStox GT12 Type A Body
G904 SupaStox GT12 Body - Type A - Light Weight



G892 SupaStox Hot Hatch Type P2



G894 SupaStox Touring Type M6



G893 SupaStox Hot Hatch Type FF



G898 SupaStox GT12 Body - Type AM



G891 SupaStox Hot Hatch Type RC



G903 SupaStox GT12 Body - Type AU



G902 SupaStox GT12 Body - Type F
G905 SupaStox GT12 Body - Type F - Light Weight



G906 SupaStox GT12 Body - Type L



CR281 - Ti Pro Ball Studs - Ultra Short - pair
 CR282 - Ti Ball Studs - Long - pair
 U4273 - Pro Ball Stud Ultra Short - pk4
 U4275 - Pro Ball Stud Long - pk4



CR510 - Kimbrough - Spur Gear 66T - 48DP
 CR511 - Kimbrough - Spur Gear 69T - 48DP
 CR512 - Kimbrough - Spur Gear 72T - 48DP



U1905 - Titanium Turnbuckle; purple - 35mm (pr)



U1954 - Pro - Thrust Bearing



U4826 - Camber Strap 1.0 Deg - S1 - Atom
 U4827 - Camber Strap 2.0 Deg - S1 - Atom



U2166 - Alloy Blocks and Flex Body Post - Horizontal



U3582 - Precision Balance Pivot Set

U4829 - Brass Weight - Atom



U4833 - Lipo Strap and Posts - Atom



U4710 - Alloy Servo Post - GT12/1-12th (pr)



U4834 - M3x8 Alloy Cap Hd Screws pk6



KITS

K163	Atom GT12 Kit - Non Diff
K164	Atom GT12 Kit - Diff

CHASSIS PARTS

CR632	Core Rc Servo Saver Assembly 23T
CR633	Core Rc Servo Saver Assembly 25T
U119	Aerial Tube (pk4)
U3943	Body Posts and Blocks - SS GT - Atom
U3944	Front Hub Carriers - SS GT - Atom (pr)
U4773	Aerial Mount - CAT K2
U4813	Foam Bumper - Atom
U4814	Front Axle - Atom
U4815	Rake Spacer 2.5mm - Atom
U4816	Alloy Chassis - Atom
U4817	Camber Strap 1.5 Deg - S1 - Atom
U4818	Front Beam - S1 - Atom
U4819	Lipo Nest + Support - S1 - Atom
U4820	Manual - Atom
U4821	Pod Base - S1 - Atom
U4822	Rear Body Mount - S1 - Atom
U4823	Bumper Mount - Atom
U4824	Spring Hanger and Straps - S1 - Atom
U4825	King Pins - Atom (pk2)

BODYSHELLS AND DECALS

CR257	Alloy Touring Car Wing Support - Black
CR258	Body Repair Tape - 50mm x 1Mtr
G888	SupaStox GT12 Type A Body
G890	SupaStox Hot Hatch Type TS
G891	SupaStox Hot Hatch Type RC
G892	SupaStox Hot Hatch Type P2
G893	SupaStox Hot Hatch Type FF
G894	SupaStox Touring Type M6
G898	SupaStox GT12 Body - Type AM
G902	SupaStox GT12 Body - Type F
G903	SupaStox GT12 Body - Type AU
G904	SupaStox GT12 Body - Type A - Light Weight
G905	SupaStox GT12 Body - Type F - Light Weight
G906	SupaStox GT12 Body - Type L
U3478	Decal sheet - Schumacher and Racing-Cars.Com (pk3)
U4864	Decal Sheet - Atom

SUSPENSION

U3495	Ball Studs; Ultra Short - pk
U3497	Ball Studs; Long - pk 4
U3977	Moulded Links 57.2mm (pk3) - SS GT - Atom
U4298	Turnbuckle HT - Touring 35mm - (pr)
U4547	Ball Sockets Long Pro-Mi5evo Black (pk8)
U4551	Ball Sockets Short Pro-Mi5evo Black (pk8)
U4627	Chassis Post Long - SS GT - Atom
U4628	Chassis Post Short - SS GT - Atom
U4629	Damper Piston - SS GT - Atom
U4630	Damper Unit - SS GT - Atom
U4631	Damper Tube - SS GT - Atom
U4838	Rear Springs Black - Atom (pr)
U4839	Rear Springs Silver - Atom (pr)
U4840	Rear Springs Gold - Atom (pr)
U4841	Rear Springs Nickel - Atom (pr)
U4842	Front Springs Black - Atom (pr)
U4843	Front Springs Silver - Atom (pr)
U4844	Front Springs Gold - Atom (pr)
U4845	Spring Tuning Set Front - Atom
U4846	Spring Tuning Set Rear - Atom
U4847	Rear Spring Seat - Atom
U4848	Pod Pivot Ball - Atom
U4849	Steering Arm Posts - Atom (pr)
U4850	Low Ball Stud (pk4) - Atom
U4851	Side Spring Seat (pr) - Atom
U4852	Plastic Parts - Atom

TRANSMISSION

CR511	Kimbrough - Spur Gear 69T - 48DP
U3946	Rear Axle - Non Diff - SS GT - Atom
U3948	RH Drive Dog - Non Diff - SS GT - Atom
U4057	Spur Gear 48DP - 70T - Non Diff - SS GT - Atom
U4112	Shim Stainless Steel - 1/4" x 5/16" x 0.004"

TRANSMISSION Cont...

U4634	Diff Spacer - SS GT - Atom (2pcs)
U4635	Ride Height Adjusters (8pcs) - SS GT - Atom
U4853	LH Drive Clamp - Atom
U4854	Diff Axle - Atom
U4855	Diff Washer (pr) - Atom
U4856	RH Washer Carrier - Atom
U4857	Assembled Diff - Atom
U4858	Trans Housing LH - Atom
U4859	Trans Housing RH - Atom
U4861	Diff Rebuild Kit - Atom
U4863	LH Drive Dog - Non Diff - Atom

BEARINGS AND BALLS

H1031	Bearing Blaster Aerosol 500ml
U1300	Axle Grease - Pot
U1301	Silicone Diff Lube - Pot
U1957	Moly Grease - Pot
U3939	Ball Bearing 1/4 X 1/2" Flanged Red Seal (pr)
U4227	Ceramic Bearings - 1/4 x 1/2 Flanged - (pr)
U4808	1/8" Chrome Steel Ball (pk12)
U4809	Ball Bearing 1/4" x 3/8" x 1/8" (pr)
U4810	Ball Bearing 1/8" x 5/16" x 9/64" Flanged Red Seal (pr)
U4811	1/8" Silicone Nitride Ball (pk12)
U4812	Ceramic BB 1/8x5/16x9/64 Flanged (pr)

SPEED PACKS

U1544	SPEED PACK - Short M3; Cap Hd
U1548	SPEED PACK - M3 Washers
U1550	SPEED PACK - Socket Wrenches (pk4)
U1552	SPEED PACK - R Clips
U1806	SPEED PACK - Servo Tape (pk30)
U2128	SPEED PACK - Grub-Set Screws M3 M4
U2356	SPEED PACK - M3x16-30 Csk Screws (pk12)
U2760	SPEED PACK - M3 Button Hd; 4 to 20
U2856	SPEED PACK - Sticky Cable Clips (pk10)
U3021	SPEED PACK - M3x6 Csk Allen Hi-T
U3022	SPEED PACK - M3x8 Csk Allen Hi-T
U3023	SPEED PACK - M3x10 Csk Allen Hi-T
U3024	SPEED PACK - M3x12 Csk - M3 x 10 Button Screws
U3572	SPEED PACK - M3x14 Grub Srew (pk4)
U4210	SPEED PACK - Pinion Grub Screw Set (pk10)
U4241	SPEED PACK - M3 Alloy Nyloc Nuts - Black (pk10)
U4314	SPEED PACK - Alloy Ball Black M3 Washers (pk18)
U4650	SPEED PACK - M3 Nyloc Nut Steel - Black (pk10)
U4651	SPEED PACK M3x10 Grub Screws (pk10)
U4652	SPEED PACK M3x2.5 Grub Screws (pk10)
U4662	SPEED PACK M3x4 Grub Screw - Cone Point (pk10)
U4835	SPEED PACK M3 Steel Nut Black (pk8)
U4836	SPEED PACK Grub Screw M3 x 8mm Cup Point (pk10)
U4837	SPEED PACK M2.5x10 Cap Hd (pk8)

SPEED SECRET - OPTION PARTS

CR281	Ti Pro Ball Studs - Ultra Short - (pr)
CR282	Ti Ball Studs - Long - (pr)
CR510	Kimbrough - Spur Gear 66T - 48DP
CR512	Kimbrough - Spur Gear 72T - 48DP
U1905	Titanium Turnbuckle; purple - 35mm (pr)
U1954	Pro - Thrust Bearing
U2166	Alloy Blocks and Flex Body Post - Horizontal
U3582	Precision Balance Pivot Set
U4273	Pro Ball Stud Ultra Short - (pk4)
U4275	Pro Ball Stud Long - (pk4)
U4587	1/10th Servo Mounting - SS GT - Atom
U4710	12th Alloy Servo Post - SS GT - Atom (pr)
U4801	Side Damper Set - Atom
U4826	Camber Strap 1.0 Deg - S1 - Atom
U4827	Camber Strap 2.0 Deg - S1 - Atom
U4829	Brass Weight - 21g - Atom
U4833	Lipo Strap and Posts - Atom
U4834	M3x8 Alloy Cap Hd Screws (pk6)
U4862	Black Alloy Washers 0.50mm (pk12)

PINIONS

CR4815	Pinion Gear 48DP 15T (7075 Hard)
CR4816	Pinion Gear 48DP 16T (7075 Hard)
CR4817	Pinion Gear 48DP 17T (7075 Hard)
CR4818	Pinion Gear 48DP 18T (7075 Hard)
CR4819	Pinion Gear 48DP 19T (7075 Hard)
CR4820	Pinion Gear 48DP 20T (7075 Hard)
CR4821	Pinion Gear 48DP 21T (7075 Hard)
CR4822	Pinion Gear 48DP 22T (7075 Hard)
CR4823	Pinion Gear 48DP 23T (7075 Hard)
CR4824	Pinion Gear 48DP 24T (7075 Hard)
CR4825	Pinion Gear 48DP 25T (7075 Hard)
CR4826	Pinion Gear 48DP 26T (7075 Hard)
CR4827	Pinion Gear 48DP 27T (7075 Hard)
CR4828	Pinion Gear 48DP 28T (7075 Hard)
CR4829	Pinion Gear 48DP 29T (7075 Hard)
CR4830	Pinion Gear 48DP 30T (7075 Hard)
CR4831	Pinion Gear 48DP 31T (7075 Hard)
CR4832	Pinion Gear 48DP 32T (7075 Hard)
CR4833	Pinion Gear 48DP 33T (7075 Hard)
CR4834	Pinion Gear 48DP 34T (7075 Hard)
CR4835	Pinion Gear 48DP 35T (7075 Hard)
CR4836	Pinion Gear 48DP 36T (7075 Hard)
CR4837	Pinion Gear 48DP 37T (7075 Hard)
U3414	Pinion; Hard Alloy 48dp - 14T
U3415	Pinion; Hard Alloy 48dp - 15T
U3416	Pinion; Hard Alloy 48dp - 16T
U3417	Pinion; Hard Alloy 48dp - 17T
U3418	Pinion; Hard Alloy 48dp - 18T
U3419	Pinion; Hard Alloy 48dp - 19T
U3420	Pinion; Hard Alloy 48dp - 20T
U3421	Pinion; Hard Alloy 48dp - 21T
U3422	Pinion; Hard Alloy 48dp - 22T
U3423	Pinion; Hard Alloy 48dp - 23T
U3424	Pinion; Hard Alloy 48dp - 24T
U3425	Pinion; Hard Alloy 48dp - 25T
U3426	Pinion; Hard Alloy 48dp - 26T
U3427	Pinion; Hard Alloy 48dp - 27T
U3428	Pinion; Hard Alloy 48dp - 28T
U3429	Pinion; Hard Alloy 48dp - 29T
U3430	Pinion; Hard Alloy 48dp - 30T
U3431	Pinion; Hard Alloy 48dp - 31T
U3432	Pinion; Hard Alloy 48dp - 32T
U3433	Pinion; Hard Alloy 48dp - 33T
U3434	Pinion; Hard Alloy 48dp - 34T
U3435	Pinion; Hard Alloy 48dp - 35T
U3436	Pinion; Hard Alloy 48dp - 36T

TEAM MERCHANDISE

CR298	CORE RC Hauler Bag
G310	Schumacher Rubber Pit Mat - 750mm x 500mm
G338	2 Tone Beanie Knitted Hat
G339L	Jacket - 3 Layer Softshell; Black - L 44inch
G339M	Jacket - 3 Layer Softshell; Black - M 41inch
G339S	Jacket - 3 Layer Softshell; Black - S - 38inch
G339XL	Jacket - 3 Layer Softshell; Black - XL 46inch
G339XS	Jacket - 3 Layer Softshell; Black - XS - 34inch
G339XXL	Jacket - 3 Layer Softshell; Black - XXL 48inch
G339XXXL	Jacket - 3 Layer Softshell; Black - XXXL 50inch
G340	Schumacher Baseball Cap - Black
G341	Schumacher Flat bill Cap - Black
G342L	T - Navy - Large 100% cotton knit mens
G342M	T - Navy - Medium 100% cotton knit mens
G342S	T - Navy - Small 100% cotton knit mens
G342XL	T - Navy - X-Large 100% cotton knit mens
G342XXL	T - Navy - XX-Large 100% cotton knit mens
G342XXXL	T - Navy - XXX-Large 100% cotton knit mens
G342XXXXL	T - Navy - XXXX-Large 100% cotton knit mens
G342XXXXXL	T - Navy - XXXXX-Large 100% cotton knit mens
G343L	Sweat-Navy-Large 80% cotton,20% polyester knit men
G343M	Sweat-Navy-Med, 80% cotton,20% polyester knit men
G343S	Sweat-Navy-Small,80% cotton,20% polyester knit men
G343XL	Sweat-Navy-XL, 80% cotton,20% polyester knit men
G344L	Polo - Navy - Large, 100% cotton knit mens

TEAM MERCHANDISE Cont....

G344M	Polo - Navy - Med, 100% cotton knit mens
G344S	Polo - Navy - Small, 100% cotton knit mens
G344XL	Polo - Navy - X-Large, 100% cotton knit mens
G344XXL	Polo - Navy - XX-Large, 100% cotton knit mens
G344XXXL	Polo - Navy - XXX-Large, 100% cotton knit mens
G344XXXXL	Polo - Navy - XXXX-Large, 100% cotton knit mens
G344XXXXXL	Polo - Navy - XXXXX-Large, 100% cotton knit mens
G355	Schumacher Hauler Bag
G356	Handle for Hauler Bag
G357	Small Draw for Hauler Bag
G358	Medium Draw for Hauler Bag
G359	Large Draw for Hauler Bag

ELECTRONICS

CR162	CORE RC Sensor Checking Widget
CR175	GT12 Power Plant-PACE ESC/SP 13.5/1S Lipo
CR249	Futaba Servo Wires Black
CR250	JR Servo Wires Black
SK-500015	Corner Weight System

SERVO

CR194	CORE RC -5008- Servo 5Kg .08 Sec 12th
CR495	CORE RC - 9009LP Low Profile Servo 8Kg .09 Sec
HSDLP650	Servo (Low Pro) - SSR 1/10 .07s 7.1kg
HSDLP750	Servo (Low Pro) 1/10 .10s 11.8kg
KO30114	Servo - R5X 12 - .13 - 7.5Kg

TRANSmitters AND RECEIVERS

CR151	CODE 2.4G FHSS LCD 2 Stick TxRx
CR152	CODE 2.4G FHSS LCD - Rx Only
CR153	CODE 2.4G FHSS Sport 2 Stick TxRx
CR154	CODE 2.4G FHSS Sport - Rx Only
CR277	CODE 2.4G FHSS Steerwheel Radio TxRx
CR278	Code 2.4G FHSS - Rx Only
CR498	Battery Holder - Code Stick Transmitter
KO21005	KR-211FH 2.4GHz FHSS Receiver
KO21007	KR-413FH Micro Receiver
KO80540	EX-1 Ver 3 (KIV) KR-413FH Set - TX + RX
KO80700	Esprit IV - Stick Radio Set

CHARGERS AND DISCHARGERS

CR031	UDC Charger Connector Set - 8pcs
CR161	UAC50 Charger 12v/110-240V 6A
CR492	LAC20 - 1S-4S 20W AC Charger
SK-100013	SKY RC - Quattro B6 Charger 50Wx4 AC/DC
SK-100046	Sky-RC Quattro B6 Charger 80Wx4 DC
SK-100064	T6755 Charger 7A 55W AC/DC Touch Screen
SK-100068-01	SKY RC 6 x 80+ Charger Blue Version
SK-100069	Synchronous DC Charger 1000W 40A
SK-100072	T6200 Charger 12A 200W DC Touch Screen
SK-100078-01	SKY RC RS16 - 180W 16A DC Charger
SK-100084	Imax B6 Mini Charger 6A 60W DC
SK-100087	Ultimate Duo Charger 700Wx2 - 30A DC
SK-100089	D100 Dual Charger 100W AC or 2x100W DC - 10A
SK-100097	D200 AC/DC Dual Charger 200W 20A + soldering iron
SK-100106	S60 AC Charger 60W 6A
SK-200013-01	eFuel 30A 540W Power Supply
SK-200015	eFuel 50A 1200W Power Supply
SK-200017-01	SKY RC 17A Power Supply (UK Plug)
TP610C	Thunder Power 10 Amp DC Balance Charger
TP610C-ACDC	Thunder Power 10 Amp AC/DC Balance Charger
TP280CD	Dual Port 20A DC charger/Cycler

BRUSHLESS MOTORS

HW30401020047	XERUN - 1/10 Sensored BL Motor V10 - 13.5T
HW30408001	Juststock - 1/10 Sensored BL Motor - 13.5T
HW90040120	XERUN-1/10 Sensored BL Motor 13.5T
NR91844	Nosram Pure 2 BL Spec Racing Motor - 13.5T

BRUSHLESS MOTORS Cont....

SK-400003-34 ARES Pro BL Motor 13.5T Spec
 SP000038 1/10 Competition MMM Series 13.5R BL Motor
 SP001231 Speed Passion Comp V4.0 Motor 13.5T
 SP138135V3 Speed Passion V3.0 Comp BL Motor; 13.5T
 TPM-540A135 Thunder Power 13.5T Stock Spec 540 BL Motor

BRUSHLESS ACCESSORIES

CR134 Core Sensor Lead; 180mm
 CR254 150mm Flat Bonded Flex Sensor Wire
 CR255 200mm Flat Bonded Flex Sensor Wire
 CR256 270mm Flat Bonded Flex Sensor Wire
 HW2361200 XERUN - Sensor Cable - 120mm
 NR925315 NOSRAM Sensor Wire HighFlex 150mm

BRUSHLESS ESC and MOTOR COMBO

SP000194 Reventon-R ESC-2S-Comp V3.0-13.5R Combo
 SP000201 Reventon Stock Club Race 13.5 Combo Comp V3 Motor
 SP000208 Reventon Stk. Clb Rce 13.5R Combo V3 Fix Trng Motor
 SP001039 Reventon Pro V1.1 ESC Comp V3.0-13.5R Combo
 SP001147 Reventon Pro V1.1 ESC MMM 13.5R Combo

BRUSHLESS SPEEDCONTROLS

CR173 PACE 45R Brushless ESC 1s/2s
 CR174 PACE 45R/60R Programming Card
 CR199 PACE 60R Brushless ESC 1S/2S
 HW30112121051 XERUN - V3.1 - 1S - Black BL ESC 120A
 NR90960 Comet EVO Brushless Speed Control
 NR90970 Comet HD Brushless Speed Control
 SK-300048 Toro 120A 1S BL Sensor ESC

BATTERIES

CR007 CORE RC Silicone Wire 12g - Red/Black 2x50cm
 CR008 CORE RC RED Connector with 2x4mm Tubes
 CR009 CORE RC RED Connector with 2x4mm Males
 CR050 CORE RC Silicone Wire 12g - Red 1 Metre
 CR051 CORE RC Silicone Wire 12g - Black 1 Metre
 CR052 CORE RC Silicone Wire 12g - Blue 1 Metre
 CR115 CORE RC Silicone Wire 12g - Red/Black/Blue 3x50cm
 CR287 Silicone Wire Black 14 AWG - 1Mtr
 CR288 Silicone Wire Black 16 AWG - 1Mtr
 CR292 CORE RC - 3200mAhR 3.7V 30/60C 1S Lipo
 IPCC1S7000SV1 Intellect-Lipo 7000mAh 100C 1S SHV
 IPCC1S7000V9 Intellect Lipo 7000mAh 1S 90C- 3.7V G4
 MR-SB MR33 Lipo Bag
 NR999509 Lipo 6600 1/12 X-treme Race 1S 100C/50C-3.7V
 NR999518 Lipo 7500 1/12 X-treme 1S 110C/55C-3.7V

GENERAL ACCESSORIES

CR005 CORE RC Battery Tape - Black
 CR006 CORE RC Battery Tape - Blue
 CR037 CORE RC - Battery Tape - Purple
 CR043 CORE RC - Silver X-Weights 16pcs
 CR058 CORE RC - Black X-Weights 16pcs
 CR060 Small Body Clip 1/10 - Gloss Black (8)
 CR061 Small Body Clip 1/10 - Silver (8)
 CR062 Small Body Clip 1/10 - Gold (8)
 CR063 Small Body Clip 1/10 - Fluorescent Yellow (8)
 CR064 Small Body Clip 1/10 - Fluorescent Green (8)
 CR065 Small Body Clip 1/10 - Fluorescent Red (8)
 CR066 Small Body Clip 1/10 - Metallic Green (8)
 CR067 Small Body Clip 1/10 - Metallic Red (8)
 CR068 Small Body Clip 1/10 - Metallic Blue (8)
 CR069 Small Body Clip 1/10 - Metallic Purple (8)
 CR159 Core RC - Battery Tape - Orange
 CR197 CORE RC - Glass Setup Board
 CR297 CORE RC - Neoprene Bag
 CR522 CORE RC - 522 Pro Tyre Glue + 2 Nozzles
 G353 Schumacher Glass Setup Board
 G354 Schumacher - Neoprene Bag
 J003 Contact RC - Glass Setup Board
 J004 Contact RC - Neoprene Bag

TOOLS

CR044 CORE RC - Curved Body Scissors
 CR045 CORE RC - Straight Body Scissors
 CR102 Magnetic Parts Tray - Purple
 CR103 Magnetic Parts Tray - Black
 CR148 CORE RC - Polybutler Pit Box; Black
 CR271 4 Way Wrench Small - 4.0,4.5,5.5,7.0mm
 H1026 Ride Height Gauge; Purple Alloy; 0-10mm
 H1056 Loctite 243 Thread Lock 3ml
 U2789 Schumacher Hex Driver - 1.5mm
 U2790 Schumacher Hex Driver - 2.0mm
 U2791 Schumacher Hex Driver - 2.5mm
 U2792 Schumacher Hex Driver - 3.0mm
 U2795 Schumacher M3 Nut Driver
 U2796 Schumacher M4 Nut Driver
 U2818 Schumacher Body Reamer
 U4229 Steel Spanner - 5.5mm/3.9mm

PAINT

CR600 Aerosol Paint - White Knight
 CR601 Aerosol Paint - Yellow Taxi
 CR602 Aerosol Paint - Fire Red
 CR603 Aerosol Paint - French Blue
 CR604 Aerosol Paint - Petrol Blue
 CR605 Aerosol Paint - Racing Green
 CR606 Aerosol Paint - Jet Black
 CR607 Aerosol Paint - Lime Green
 CR608 Aerosol Paint - Tangerine
 CR609 Aerosol Paint - Hot Pink
 CR610 Aerosol Paint - Berry Purple
 CR611 Aerosol Paint - Neon Yellow
 CR612 Aerosol Paint - Neon Orange
 CR613 Aerosol Paint - Neon Red
 CR614 Aerosol Paint - Neon Green
 CR615 Aerosol Paint - Neon Fire
 CR616 Aerosol Paint - Neon Carrot
 CR617 Aerosol Paint - Neon Pink
 CR618 Aerosol Paint - Neon Blue
 CR619 Aerosol Paint - Metallic Blue
 CR620 Aerosol Paint - Metallic Graphite
 CR621 Aerosol Paint - Metallic Silver
 CR622 Aerosol Paint - Metallic Purple
 CR623 Aerosol Paint - Metallic Green
 CR624 Aerosol Paint - Metallic Red
 CR625 Aerosol Paint - Metallic White
 CR626 Aerosol Paint - Clear Sparkle
 CR627 Aerosol Paint - True Chrome
 CR628 Aerosol Paint - Clear Backing
 CR629 Aerosol Paint - Window Tint
 CR631 Aerosol Paint - Sparmint



TYRE ADDITIVE

CR489	Tyre Traction Bottle (3pcs)
NR96010	NOSRAM Traction additive carpet
SXT00030	SXT 3.0 Traction Compound

1/12 FOAMS; Atom

U4828	Rear Tyre Truer Adapter - Atom
JG35RQ	GT12 Rear Q Compound 35Sh - 48mm
JG35RQ-P	GT12 Rear Q Compound 35Sh - 44mm
JG40FQ	GT12 Front Q Compound 40Sh - 46mm
JG40FQ-P	GT12 Front Q Compound 40Sh - 42mm
JG40RQ	GT12 Rear Q Compound 40Sh - 48mm
JG40RQ-P	GT12 Rear Q Compound 40Sh - 44mm
JG42FQ	GT12 Front Q Compound 42Sh - 46mm
JG42FQ-P	GT12 Front Q Compound 42Sh - 42mm

**G355 - Schumacher Hauler Bag**

The Schumacher hauler bag sets a new standard of transporting all your race gear to the track. Super stylish black, grey and white provides a distinctive look but carries that traditional Schumacher branding!

The bag is super easy to manoeuvre with it's 2 position, push button, lightweight aluminium handle and robust moulded wheels. The bag also incorporates a shoulder strap for more carrying options. The handle is also replaceable if somehow it gets damaged. The zips on the Schumacher hauler are also super tough, with upgraded fastenings compared to other bags on the market.

Undo the main zips to unveil the 5 tough corrugated boxes, one large, three medium and one small, (all available separately as spare parts) with moulded supports to provide even more strength.

Underneath the top zipped cover you can find a handy tool tray and positions for all your favourite tools which can be securely fastened in with the elastic straps.

The bag also has handy pockets for many items including one large on the rear to take that all important set up board.

Dimensions

54 x 37 x 60cm

Not including handle.

Box sizes;

1x Large - 32x19.5x50cm

3x Medium - 32x24.5x12cm

1x Small - 32x21.5x12cm

The Schumacher Hauler bag requires assembly.

Schumacher Set up board and tools **not included**.

**Spare Parts**

G356 - Handle For Hauler Bag

G357 - Small Draw for Hauler Bag

G358 - Medium Draw for Hauler Bag

G359 - Large Draw for Hauler Bag

G353 - Schumacher Glass Setup Board



3 Layer Soft Shell Team Jacket - Black
G339XS Extra Small - 34 inch chest
G339S Small - 38 inch chest
G339M Medium - 41 inch chest
G339L Large - 44 inch chest
G339XL X Large - 46 inch chest
G339XXL XX Large - 48 inch chest
G339XXXL XXX Large - 50 inch chest



Team Hooded Sweatshirt - Navy Blue
G343S Small
G343M Medium
G343L Large
G343XL Extra Large



Team Caps - Black
G340 Schumacher Baseball Cap
G341 Schumacher Flat bill Cap



Team Polo Shirt - Navy blue
G344S Small
G344M Medium
G344L Large
G344XL X Large
G344XXL XX Large
G344XXXL XXX Large
G344XXXXL XXXX Large
G344XXXXXL XXXXX Large



Team T-Shirt - Navy blue
G342S Small
G342M Medium
G342L Large
G342XL X Large
G342XXL XX Large
G342XXXL XXX Large
G342XXXXL XXXX Large
G342XXXXXL XXXXX Large



G338 2 Tone Beanie Knitted Hat



G315 Schumacher Pit Towel



G310 Schumacher Rubber Pit Mat
750mm x 500mm



S500B - Team Schumacher Banner 3ft x 6ft